

SHARP

PN-LC862
PN-LC752
PN-LC652

LCD MONITOR
MONITEUR LCD
MONITOR LCD

SETUP MANUAL
MANUEL D'INSTALLATION
MANUAL DE INSTALACIÓN

ENGLISH

FRANÇAIS

ESPAÑOL

HDMI™

ENGLISH E1
FRANÇAIS..... F1
ESPAÑOL S1



IMPORTANT:

To aid reporting in case of loss or theft, please record the product's model and serial numbers in the space provided. The numbers are located in the rear of the product.

Model No.:

Serial No.:

U.S.A. ONLY

Supplier's Declaration of Conformity

SHARP LCD MONITOR, PN-LC652/PN-LC752/PN-LC862

This device complies with Part 15 of the FCC Rules. Operation is subject to the following two conditions: (1) This device may not cause harmful interference, and (2) this device must accept any interference received, including interference that may cause undesired operation.

Responsible Party:

SHARP ELECTRONICS CORPORATION
100 Paragon Drive, Montvale, NJ 07645
TEL: 1-800-BE-SHARP www.sharpusa.com

U.S.A. ONLY

This device complies with part 15 of the FCC Rules. Operation is subject to the following two conditions: (1) This device may not cause harmful interference, and (2) this device must accept any interference received, including interference that may cause undesired operation.

This transmitter must not be co-located or operated in conjunction with any other antenna or transmitter.

U.S.A. ONLY

This equipment complies with FCC/IC radiation exposure limits set forth for an uncontrolled environment and meets the FCC radio frequency (RF) Exposure Guidelines and RSS-102 of the IC radio frequency (RF) Exposure rules. This equipment has very low levels of RF energy that it deemed to comply without maximum permissive exposure evaluation (MPE). But it is desirable that it should be installed and operated keeping the radiator at least 20cm or more away from person's body (excluding extremities: hands, wrists, feet and ankles).

U.S.A. AND CANADA ONLY

This device contains licence-exempt transmitter(s)/receiver(s) that comply with Innovation, Science and Economic Development Canada's licence-exempt RSS(s).

Operation is subject to the following two conditions:

- (1) This device may not cause interference.
- (2) This device must accept any interference, including interference that may cause undesired operation of the device.

CANADA ONLY

L'émetteur/récepteur exempt de licence contenu dans le présent appareil est conforme aux CNR d'Innovation, Sciences et Développement économique Canada applicables aux appareils radio exempts de licence. L'exploitation est autorisée aux deux conditions suivantes :

- 1) L'appareil ne doit pas produire de brouillage;
- 2) L'appareil doit accepter tout brouillage radioélectrique subi, même si le brouillage est susceptible d'en compromettre le fonctionnement.

Cet équipement est conforme aux limites d'exposition aux rayonnements énoncées pour un environnement non contrôlé et respecte les règles d'exposition aux fréquences radioélectriques (RF) CNR-102 de l'IC. Cet équipement émet une énergie RF très faible qui est considérée conforme sans évaluation de l'exposition maximale autorisée. Cependant, cet équipement doit être installé et utilisé en gardant une distance de 20 cm ou plus entre le dispositif rayonnant et le corps (à l'exception des extrémités : mains, poignets, pieds et chevilles).

CANADA SEULEMENT

CAN ICES-3 (B) / NMB-3 (B)

Contents

[ENGLISH]



| | | | |
|--|---|--|----|
| IMPORTANT INFORMATION..... | 1 | Attaching the wireless adapter..... | 5 |
| DEAR SHARP CUSTOMER..... | 1 | Connections | 6 |
| SAFETY PRECAUTIONS..... | 2 | Turning Power On/Off..... | 8 |
| SAFETY INSTRUCTION | 3 | Specifications | 9 |
| MOUNTING PRECAUTIONS | 4 | Mounting Precautions | |
| Supplied Components..... | 5 | (For SHARP dealers and service engineers)..... | 10 |
| Preparing the Remote Control Unit..... | 5 | | |

ENGLISH

Operation manuals may be downloaded from the following website:
<https://business.sharpusa.com/product-downloads>
(Adobe Acrobat Reader is required to view the manuals.)

IMPORTANT INFORMATION

WARNING: TO REDUCE THE RISK OF FIRE OR ELECTRIC SHOCK, DO NOT EXPOSE THIS PRODUCT TO RAIN OR MOISTURE.

| | | |
|--|---|--|
|  | CAUTION RISK OF ELECTRIC SHOCK DO NOT OPEN |  |
| <p>CAUTION: TO REDUCE THE RISK OF ELECTRIC SHOCK, DO NOT REMOVE COVER. NO USER-SERVICEABLE PARTS INSIDE. REFER SERVICING TO QUALIFIED SERVICE PERSONNEL.</p> | | |



The lightning flash with arrowhead symbol, within a triangle, is intended to alert the user to the presence of uninsulated "dangerous voltage" within the product's enclosure that may be of sufficient magnitude to constitute a risk of electric shock to persons.



The exclamation point within a triangle is intended to alert the user to the presence of important operating and maintenance (servicing) instructions in the literature accompanying the product.

WARNING:

FCC Regulations state that any unauthorized changes or modifications to this equipment not expressly approved by the manufacturer could void the user's authority to operate this equipment.

NOTE:

This equipment has been tested and found to comply with the limits for a Class B digital device, pursuant to Part 15 of the FCC Rules. These limits are designed to provide reasonable protection against harmful interference in a residential installation.

This equipment generates, uses and can radiate radio frequency energy and, if not installed and used in accordance with the instructions, may cause harmful interference to radio communications. However, there is no guarantee that interference will not occur in a particular installation.

If this equipment does cause harmful interference to radio or television reception, which can be determined by turning the equipment off and on, the user is encouraged to try to correct the interference by one or more of the following measures:

- Reorient or relocate the receiving antenna.
- Increase the separation between the equipment and receiver.
- Connect the equipment into an outlet on a circuit different from that to which the receiver is connected.
- Consult the dealer or an experienced radio/TV technician for help.

U.S.A. ONLY

To maintain compliance with EMC regulations, use shielded cables to connect to the following terminals: USB port, Mini AV input terminal, HDMI input terminal, HDMI output terminal, D-sub input terminal, DisplayPort input terminal, RS-232C input terminal, USB Type C port and TOUCH PANEL terminal

DEAR SHARP CUSTOMER

Thank you for your purchase of a SHARP LCD product. To ensure safety and many years of trouble-free operation of your product, please read the Safety Precautions carefully before using this product.

SAFETY PRECAUTIONS

Electricity is used to perform many useful functions, but it can also cause personal injuries and property damage if improperly handled. This product has been engineered and manufactured with the highest priority on safety. However, improper use can result in electric shock and/or fire. In order to prevent potential danger, please observe the following instructions when installing, operating and cleaning the product. To ensure your safety and prolong the service life of your LCD product, please read the following precautions carefully before using the product.

1. Read instructions — All operating instructions must be read and understood before the product is operated.
2. Keep this manual in a safe place — These safety and operating instructions must be kept in a safe place for future reference.
3. Observe warnings — All warnings on the product and in the instructions must be observed closely.
4. Follow instructions — All operating instructions must be followed.
5. Cleaning — Unplug the power cord from the power outlet before cleaning the product. Use a dry cloth to clean the product. Do not use liquid cleaners or aerosol cleaners. Do not use dirty cloths. Doing so may damage the product.
6. Attachments — Do not use attachments not recommended by the manufacturer. Use of inadequate attachments can result in accidents.
7. Water and moisture — Do not use the product near water. Do not install the product in a place where water may splash onto it. Be careful of equipment which drains water such as an air-conditioner.
8. Ventilation — The vents and other openings in the cabinet are designed for ventilation. Do not cover or block these vents and openings since insufficient ventilation can cause overheating and/or shorten the life of the product. Do not place the product on a sofa, rug or other similar surface, since they can block ventilation openings. Do not place the product in an enclosed place such as a bookcase or rack, unless proper ventilation is provided or the manufacturer's instructions are followed.
9. Power cord protection — The power cords must be routed properly to prevent people from stepping on them or objects from resting on them.
10. The screen used in this product is made of glass. Therefore, it can break when the product is dropped or applied with impact. Be careful not to be injured by broken glass pieces in case the screen breaks.
11. Overloading — Do not overload power outlets or extension cords. Overloading can cause fire or electric shock.
12. Entering of objects and liquids — Never insert an object into the product through vents or openings. High voltage flows in the product, and inserting an object can cause electric shock and/or short internal parts.
For the same reason, do not spill water or liquid on the product.
13. Servicing — Do not attempt to service the product yourself. Removing covers can expose you to high voltage and other dangerous conditions. Request a qualified service person to perform servicing.
14. Repair — If any of the following conditions occurs, unplug the power cord from the power outlet, and request a qualified service person to perform repairs.
 - a. When the power cord or plug is damaged.
 - b. When a liquid was spilled on the product or when objects have fallen into the product.
 - c. When the product has been exposed to rain or water.
 - d. When the product does not operate properly as described in the operating instructions.
Do not touch the controls other than those described in the operating instructions. Improper adjustment of controls not described in the instructions can cause damage, which often requires extensive adjustment work by a qualified technician.
 - e. When the product has been dropped or damaged.
 - f. When the product displays an abnormal condition. Any noticeable abnormality in the product indicates that the product needs servicing.
15. Replacement parts — In case the product needs replacement parts, make sure that the service person uses replacement parts specified by the manufacturer, or those with the same characteristics and performance as the original parts. Use of unauthorized parts can result in fire, electric shock and/or other danger.
16. Safety checks — Upon completion of service or repair work, request the service technician to perform safety checks to ensure that the product is in proper operating condition.
17. Wall mounting — When mounting the product on a wall, be sure to install the product according to the method recommended by the manufacturer.
18. Heat sources — Keep the product away from heat sources such as radiators, heaters, stoves and other heat-generating products (including amplifiers).
19. Batteries — Incorrect use of batteries may cause the batteries to burst or ignite. A leaky battery may corrode the equipment, dirty your hands or spoil your clothing. In order to avoid these problems, make sure to observe the precautions below:
 - Use the specified batteries only.
 - Install the batteries with due attention to the plus (+) and minus (-) sides of the batteries according to the instructions in the compartment.
 - Do not mix old and new batteries.
 - Do not mix batteries of different types. Voltage specifications of batteries of the same shape may vary.
 - Replace an exhausted battery with a new one promptly.
 - If you will not use the remote control for a long time, remove the batteries.
 - If leaked battery fluid gets on your skin or clothing, rinse immediately and thoroughly. If it gets into your eye, bathe your eye well rather than rubbing and seek medical treatment immediately. Leaked battery fluid that gets into your eye or your clothing may cause a skin irritation or damage your eye.
20. Usage of the monitor must not be accompanied by fatal risks or dangers that, could lead directly to death, personal injury, severe physical damage or other loss, including nuclear reaction control in nuclear facility, medical life support system, and missile launch control in a weapon system.



21. Do not stay in contact with the parts of the product that become hot for long periods of time. Doing so may result in low-temperature burns.
22. Do not modify this product.

WARNING:

An apparatus with CLASS I construction shall be connected to a MAIN socket outlet with a protective earthing connection.

STABILITY HAZARD

If a monitor is not positioned in a sufficiently stable location, it can be potentially hazardous due to falling. Many injuries, particularly to children, can be avoided by taking simple precautions such as:

- Using fixing devices like wall mount brackets recommended by the manufacturer.
- Only using furniture that can safely support the monitor.
- Ensuring the monitor is not overhanging the edge of the supporting furniture.
- Not placing the monitor on tall furniture (for example, cupboards or bookcases) without anchoring both the furniture and the monitor to a suitable support.
- Not standing the monitors on cloth or other materials placed between the monitor and supporting furniture.
- Educating children about the dangers of climbing on furniture to reach the monitor or its controls.
- This equipment is not suitable for use in locations where children are likely to be present unsupervised.

Especially for child safety

- Don't allow children to climb on or play with the monitor.
- Don't place the monitor on furniture that can easily be used as steps, such as a chest of drawers.
- Remember that children can become excited while watching a program, especially on a "larger than life" monitor. Care should be taken to place or install the monitor where it cannot be pushed, pulled over, or knocked down.
- Care should be taken to route all cords and cables connected to the monitor so that they cannot be pulled or grabbed by curious children.

SAFETY INSTRUCTION

- Do not use the monitor where there is a lot of dust, where humidity is high, or where the monitor may come into contact with oil or steam. Do not use in an environment where there are corrosive gases (sulfur dioxide, hydrogen sulfide, nitrogen dioxide, chlorine, ammonia, ozone, etc.). As this could lead to fire.
- Ensure that the monitor does not come into contact with water or other fluids. Ensure that no objects such as paper clips or pins enter the monitor as this could lead to fire or electric shock.
- Do not place the monitor on top of unstable objects or in unsafe places. Do not allow the monitor to receive strong shocks or to strongly vibrate. Causing the monitor to fall or topple over may damage it.
- Do not use the monitor near heating equipment or in places where there is likelihood of high temperature, as this may lead to generation of excessive heat and outbreak of fire.
- Do not use the monitor in places where it may be exposed to direct sunlight. Risk of cabinet deformation and failure if the monitor is used in direct sunlight.
- Please be sure to constantly remove dust and garbage that has attached to the ventilation opening. If dust collects in the ventilation opening or the inside of the monitor, it may lead to excessive heat, outbreak of fire, or malfunction. Please request a cleaning of the inside of the monitor from an authorized servicing dealer or service center.
- The power outlet shall be installed near the equipment and shall be easily accessible.
- Continuous operating time and warranty.
This product is designed for a maximum daily use of 16 hours. Continual use in excess of 16 hours per day is not covered by the warranty.
- Do not operate the screen with a hard or pointed object such as a fingernail or pencil.

The Power Cord


- Use only the power cord supplied with the monitor.
- Do not damage the power cord nor place heavy objects on it, stretch it or over bend it. Also, do not add extension cords. Damage to the cord may result in fire or electric shock.
- Do not use the power cord with a power tap. Adding an extension cord may lead to fire as a result of overheating.
- Do not remove or insert the power plug with wet hands. Doing so could result in electric shock.
- Unplug the power cord if it is not used for a long time.
- Do not attempt to repair the power cord if it is broken or malfunctioning. Refer the servicing to the service representative.

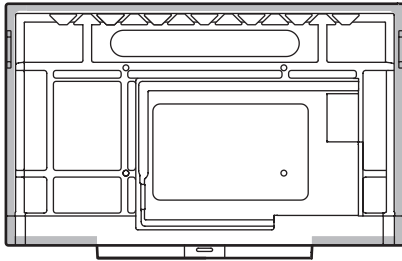
Wireless LAN

- This monitor cannot be used in other than the country or region where you purchased it.
- The channels and frequencies that can be used for wireless LAN vary by country and region.
- This device is restricted to indoor use due to its operation in the 5.15 GHz to 5.25 GHz frequency range.

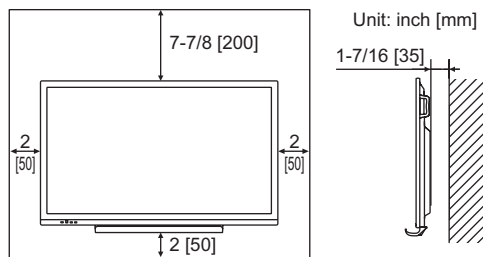


MOUNTING PRECAUTIONS

- This product is for use indoors.
- A mounting bracket compliant with VESA specifications is required.
- Since the monitor is heavy, consult your dealer before installing, removing or moving the monitor.
- Mounting the monitor on the wall requires special expertise and the work must be performed by an authorized dealer. You should never attempt to perform any of this work yourself. Our company will bear no responsibility for accidents or injuries caused by improper mounting or mishandling.
- Use the monitor with the surface perpendicular to a level surface.
- When moving the monitor, be sure to hold the handles or the parts marked by  below. Do not grasp the screen or tray. This may cause product damage, failure, or injury.



- This monitor should be used at an ambient temperature between 41°F (5°C) and 95°F (35°C). Provide enough space around the monitor to prevent heat from accumulating inside.



- If it is difficult to provide sufficient space for any reason such as the installation of the monitor inside a housing or of several units side-by-side, or if the ambient temperature may be outside of the range of 41°F (5°C) to 95°F (35°C), install a fan or take other measures to keep the ambient temperature within the required range.
- When installing two or more monitor units side-by-side, provide space of at least 3/16 inch (5 mm) around them to prevent stress on the adjacent unit or structure due to thermal expansion.
- Temperature condition may change when using the monitor together with the optional equipments recommended by SHARP. In such cases, please check the temperature condition specified by the optional equipments.
- Do not block any ventilation openings. If the temperature inside the monitor rises, this could lead to a malfunction.
- Do not place the monitor on a device which generates heat.
- Do not use the product in locations where the unit is exposed to direct sunlight or other strong light. Since this product operates with infrared rays, such light may cause a malfunction.
- When using multiple monitors closely, be sure the infrared transmitter/receiver does not affect the other ones.

Supplied Components

If any component should be missing, please contact your dealer.

- Liquid Crystal Display Monitor: 1
- Remote control unit: 1
- Cable clamp: 3



- Power cord: 1
- Remote control unit battery: 2
- Setup Manual (this manual): 1
- Touch pen: 2
- Camera mount: 1
- Camera mount screw (M3x6): 1
- Camera screw (inch thread): 1

- Tray: 1
- Tray mounting screws (M3x8): 4
- USB cable: 1
- Wireless adapter: 1

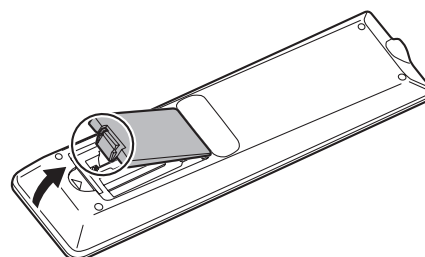


- Cover SHARP logo: 1
Place this sticker onto the SHARP logo to cover the logo.

* For environmental protection!
Do not dispose of batteries in household waste. Follow the disposal instructions for your area.

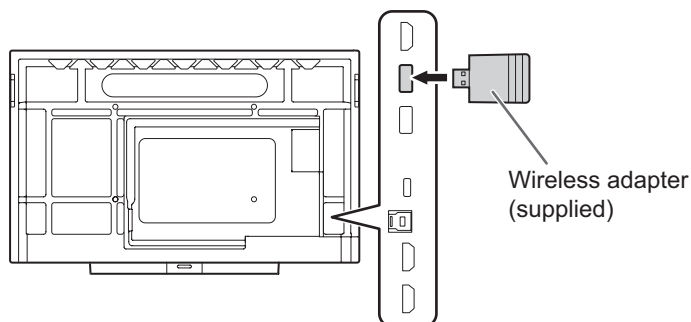
Preparing the Remote Control Unit

1. Place your finger on the part marked with the ▲, and then pull the cover off.
2. See the instructions in the compartment and put in the batteries (R03 or LR03 ("AAA" size) x 2) with their plus (+) and minus (-) sides oriented correctly.
3. Close the cover.



Attaching the wireless adapter

1. Connect the supplied wireless adapter to the USB port for APPLICATION mode.

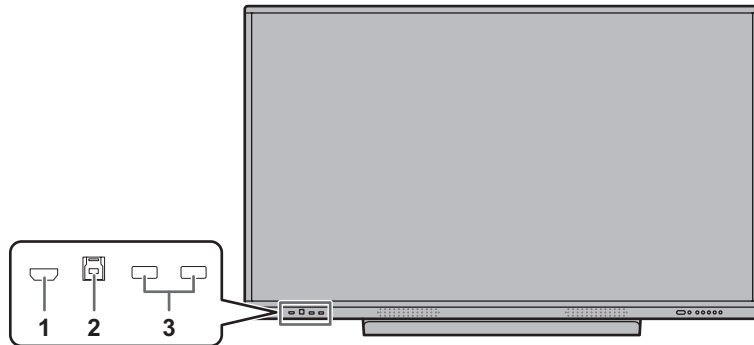


Connections

! Caution

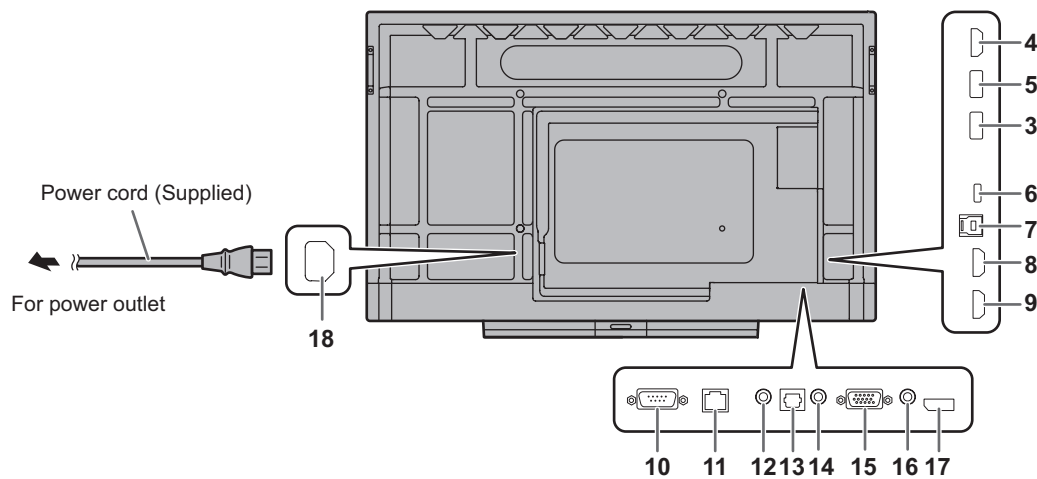
- Be sure to turn off the main power switch and disconnect the plug from the power outlet before connecting/disconnecting cables. Also, read the manual of the equipment to be connected.
- Be careful not to confuse the input terminal with the output terminal when connecting cables. Accidentally reversing cables connected to the input and output terminals may cause malfunctions and the other problems.

■ Front view



1. HDMI1 input terminal
2. TOUCH PANEL1 terminal (for HDMI1)
3. USB port (USB 3.0 compliant)

■ Rear view

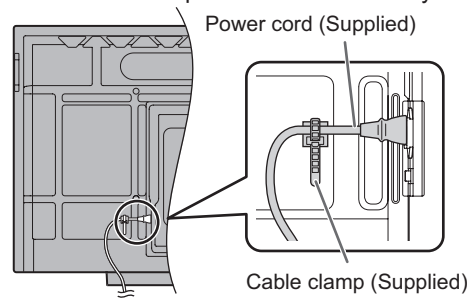


- | | |
|--|---|
| 4. HDMI output terminal | 11. LAN terminal |
| 5. USB port for APPLICATION mode (USB 3.0 compliant) | 12. Audio output terminal |
| 6. USB Type C port | 13. Digital audio output (optical) terminal |
| 7. TOUCH PANEL2 terminal (for HDMI2/HDMI3/DisplayPort/D-SUB) | 14. Audio input terminal |
| 8. HDMI2 input terminal | 15. D-sub input terminal |
| 9. HDMI3 input terminal | 16. Mini AV input terminal |
| 10. RS-232C input terminal | 17. DisplayPort input terminal |
| | 18. AC input terminal |

The TOUCH PANEL terminal is USB3.0 Type B.
Although the connector shape is different, the supplied USB cable (USB 2.0 Type B) can be connected to the TOUCH PANEL terminal.

TIPS

- Be sure to clamp the power cord (supplied) by using the supplied cable clamp. When clamping the power cord, take care not to stress the terminal of the power cord. Do not bend the power cord excessively.



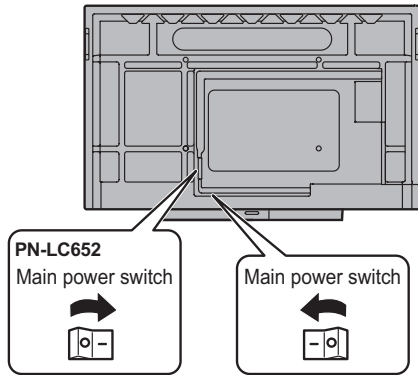
- To use the touch panel with an HDMI / D-sub / DisplayPort connection, connect the supplied USB cable to the computer. The touch panel and touch pen operate with the standard driver of each operating system. On the Mac, operation is only possible in mouse mode.
- The Information Display Downloader can also be downloaded from the following website.
<https://business.sharpusa.com/product-downloads>
When the Information Display Downloader is installed, you can check and download the most recent versions of the software programs.
To install the software, see the manual for each.
Pen Software setup program and Touch Viewer setup program can be downloaded using Information Display Downloader.
- Apple and Mac are trademarks of Apple Inc., registered in the U.S. and other countries.
- The terms HDMI, HDMI High-Definition Multimedia Interface, HDMI Trade dress and the HDMI Logos are trademarks or registered trademarks of HDMI Licensing Administrator, Inc.
- DisplayPort is a registered trademark of Video Electronics Standards Association.
- Adobe, Acrobat, and Acrobat Reader are either registered trademarks or trademarks of Adobe in the United States and/or other countries.
- VESA is either registered trademark or trademark of Video Electronics Standards Association in the United States and/or other countries.
- All other brand and product names are trademarks or registered trademarks of their respective holders.

Turning Power On/Off

! Caution

- Turn on the monitor first before turning on the computer or playback device.
- When switching the main power switch or the POWER button off and back on, always wait for at least 5 seconds. A short interval may result in a malfunction.

Turning on the main power



When you turn on the main power, the monitor enters standby state.

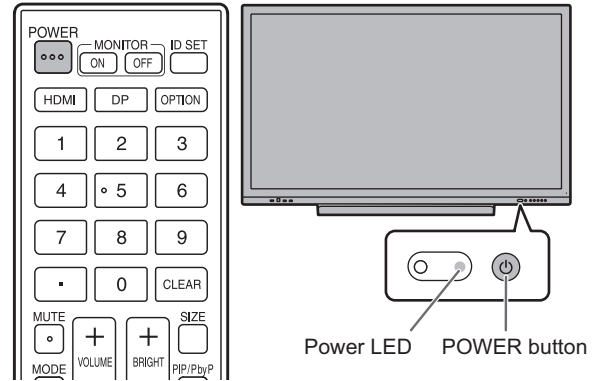
Off mode, when main power is off.

! Caution

- The main power must be turned on/off with the main power switch. Do not connect/disconnect the power cord or turn the breaker on/off while the main power switch is on.
- For a complete electrical disconnection, pull out the main plug.

Turning power on

1. Press the POWER button.



| Status | Status of the monitor |
|---|--|
| Blue lit | Power on Sleep state (Backlight off) |
| Orange lit | Power off (Standby state* ¹) |
| Orange flashing (at approx. 2 seconds interval) | Power off (Standby state* ²) |
| Orange flashing (at approx. 1 second interval) | Input signal waiting state |

*1 When "Power save mode" is set to on.

Standby mode when "Wake On LAN" is set to off.

Networked standby mode when "Wake On LAN" is set to on.

Networked standby mode allows the monitor to be turned on via network (LAN, RS-232C, and HDMI CEC).

*2 When "Power save mode" is set to off.



■ Operations after first power-on

When you turn on the power for the first time, the language settings screen appears. Be sure to set the date and time.

1. Select a language, and then touch "Next".
2. Select the time zone, and then touch "Next".
3. Set the date and time, and then touch "Next".

The power save mode settings screen appears.

4. Configure the settings according to the screen.

YES:

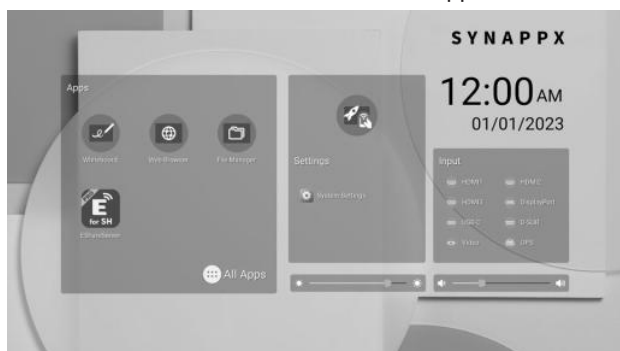
- "Power save mode" is set to on and "Wake On LAN" is set to off.
- Current consumption is reduced while the monitor is in standby state. APPLICATION mode is also shut down. Note, however, that the startup time from standby state becomes longer.

NO:

- "Power save mode" is set to off.
- Startup time from standby state is reduced. Note, however, that more power will be consumed in standby state. APPLICATION mode continues to run in standby state.

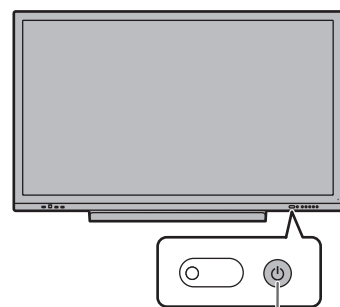
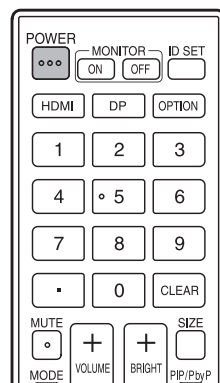
Even after being set, you can change the "Power save mode". (See OPERATION MANUAL.)

The home screen of APPLICATION mode appears.



Turning power off

1. Press the POWER button on the remote control unit.
Or, press and hold the POWER button on the monitor.



POWER button

A confirmation screen appears.

2. Select "OK".

The power will turn off. (Standby state)

! Caution

- When the power is turned off, the application data that is not saved is lost.
- A message is displayed before the power turns off. Save any data you need.
- If the monitor will be turned off by schedule, "Off if no operation" or computer control, save any data you need in advance. The power will turn off even if there is unsaved data. (The data will be lost.)

Specifications

| Model | PN-LC862 | PN-LC752 | PN-LC652 |
|--|--|---|---|
| Power requirement | AC 100 - 240 V, 5.6 A, 50/60 Hz | AC 100 - 240 V, 4.7 A, 50/60 Hz | AC 100 - 240 V, 4.4 A, 50/60 Hz |
| Operating temperature *1 | 41°F to 95°F (5°C to 35°C) | | |
| Operating humidity | 20% to 80% (no condensation) | | |
| Power consumption *2 (Max) | 260 W (500 W) | 200 W (420 W) | 180 W (390 W) |
| Dimensions inch (mm) (excluding protrusions) | Approx. 77-1/2 (W) x 3-7/16 (D) x 46-1/16 (H) (1967.9 x 87.1 x 1170.2) | Approx. 67-13/16 (W) x 3-7/16 (D) x 40-5/8 (H) (1722.5 x 87.1 x 1032.1) | Approx. 59-1/2 (W) x 3-3/8 (D) x 36-1/8 (H) (1511.6 x 85.9 x 917.9) |
| Weight lbs. (kg) | Approx. 143.3 (65) | Approx. 112.4 (51) | Approx. 84.9 (38.5) |

*1 Temperature condition may change when using the monitor together with the optional equipments recommended by SHARP. In such cases, please check the temperature condition specified by the optional equipments.

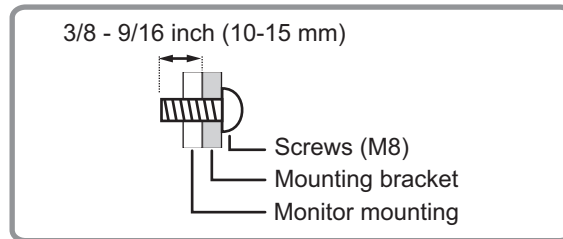
*2 Factory setting. (When no optional part is attached.)


As a part of our policy of continuous improvement, SHARP reserves the right to make design and specification changes for product improvement without prior notice. The performance specification figures indicated are nominal values of production units. There may be some deviations from these values in individual units.

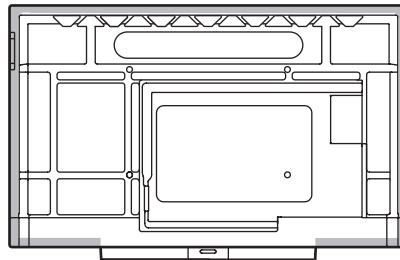


Mounting Precautions (For SHARP dealers and service engineers)

- When installing, removing or moving the monitor, ensure that this is carried out by at least 4 people. (PN-LC652: at least 2 people.)
- Be sure to use a wall-mount bracket designed or designated for mounting the monitor.
- This monitor is designed to be installed on a concrete wall or pillar. Reinforced work might be necessary for some materials such as plaster / thin plastic board / wood before starting installation.
- This monitor and bracket must be installed on a wall which can endure at least 4 times or more the weight of the monitor. Install by the most suitable method for the material and the structure.
- To attach a VESA-compliant mounting bracket, use M8 screws that are 3/8 inch (10 mm) to 9/16 inch (15 mm) longer than the thickness of the mounting bracket.



- Do not use an impact driver.
- When moving the monitor, be sure to hold the handles or the parts marked by  below. Do not grasp the screen or tray. This may cause product damage, failure, or injury.



- If you need to temporarily place the monitor on a table or other surface during installation, spread a thick soft cloth on the table to prevent damage to the screen and table.
- Prior to repacking or removal, remove the tray.
- After mounting, please carefully ensure the monitor is secure, and not able to come loose from the wall or mount.
- Do not use any screw holes other than those for mounting brackets, located on the rear of the monitor, for installation.

■Attaching the Tray

Secure the tray using 4 tray mounting screws (M3x8) (supplied).

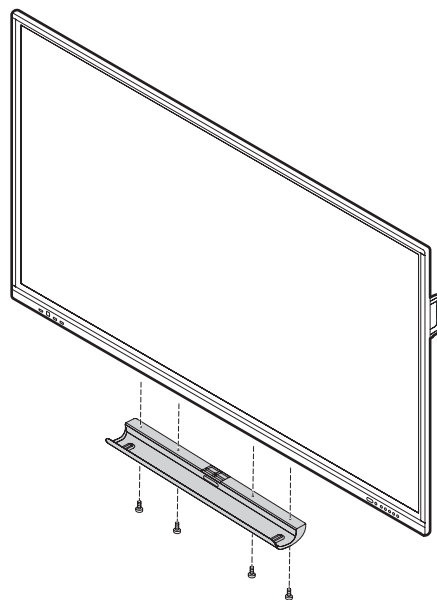




Table des matières

[FRANÇAIS]

| | | | |
|--------------------------------------|---|---|----|
| INFORMATIONS IMPORTANTES | 1 | Fixation de l'adaptateur sans fil | 5 |
| CHER CLIENT..... | 1 | Connexions | 6 |
| PRÉCAUTIONS DE SÉCURITÉ | 2 | Mise sous tension et hors tension..... | 8 |
| MESURES DE SÉCURITÉ..... | 3 | Caractéristiques | 9 |
| PRÉCAUTIONS POUR LE MONTAGE..... | 4 | Précautions pour le montage | |
| Composants fournis..... | 5 | (À l'attention des revendeurs et techniciens SHARP) ... | 10 |
| Préparation de la télécommande | 5 | | |

Les manuels d'utilisation peuvent être téléchargés à partir du site web suivant:



<https://business.sharpusa.com/product-downloads>

(Adobe Acrobat Reader est nécessaire pour pouvoir visualiser les manuels.)

FRANÇAIS

INFORMATIONS IMPORTANTES

AVERTISSEMENT : POUR RÉDUIRE LE RISQUE D'INCENDIE OU DE DÉCHARGE ÉLECTRIQUE, NE PAS EXPOSER CE PRODUIT À LA PLUIE OU À LA POUSSIÈRE.

| | | | |
|--|---|--|---|
|  | <div style="background-color: black; color: white; padding: 5px; font-weight: bold;">ATTENTION</div> <div style="border: 1px solid black; padding: 5px; text-align: center;"> RISQUE DE DÉCHARGE ÉLECTRIQUE NE PAS OUVRIR </div> |  | <p>Le symbole représenté par l'éclair à la tête en pointe de flèche à l'intérieur d'un triangle, est placé pour alerter l'utilisateur de la présence d'une "tension dangereuse" non isolée à l'intérieur du produit. Cette tension peut avoir une valeur suffisante pour constituer un risque d'électrocution à toute personne.</p> |
| <p>ATTENTION: POUR RÉDUIRE LE RISQUE DE DÉCHARGE ÉLECTRIQUE, NE PAS RETIRER LE COUVERCLE. IL N'Y A AUCUNE PIÈCE RÉPARABLE PAR L'UTILISATEUR À L'INTÉRIEUR. AVERTIR LE PERSONNEL DE SERVICE QUALIFIÉ POUR TOUTE PROCÉDURE D'ENTRETIEN.</p> | | | <p>Le point d'exclamation à l'intérieur d'un triangle est placé pour alerter l'utilisateur de la présence d'une procédure particulière ou d'une procédure de maintenance (entretien) importante dans les manuels accompagnant le produit.</p> |

AVERTISSEMENT:

Les lois FCC établissent que tout changement ou modification non-autorisés de cet équipement qui n'ont pas été expressément approuvés par le producteur, constituent un motif d'annulation des droits de l'utilisateur d'utiliser cet appareil.

REMARQUE:

Cet équipement, après les tests, a été jugé conforme aux limites d'un équipement numérique de Classe B, conformément à la section 15 de la réglementation FCC. Ces limites sont destinées à assurer une protection raisonnable contre toute interférence nocive dans le cadre d'une installation résidentielle.

Cet équipement génère, utilise et est susceptible d'irradier de l'énergie sous forme de radiofréquences et, s'il n'est pas installé et utilisé conformément aux instructions, est susceptible de provoquer des interférences dommageables aux communications radio. Toutefois, il n'est pas garanti qu'aucune interférence ne surviendra dans le cadre d'une installation particulière.

Si cet équipement provoque des interférences dommageables aux réceptions radio ou télévision (interférences pouvant être déterminées en éteignant puis en rallumant le matériel), l'utilisateur est invité à essayer de corriger ces interférences en adoptant une ou plusieurs des mesures suivantes:

- Réorienter ou changer la position de l'antenne réceptrice.
- Augmenter la distance entre l'équipement et le récepteur.
- Brancher l'équipement à une prise électrique située sur un circuit différent de celui auquel le récepteur est connecté.
- Consulter le revendeur ou un technicien spécialisé en TV/radio.

ÉTATS-UNIS SEULEMENT

Afin de satisfaire aux normes EMC, utiliser des câbles blindés pour connecter les bornes suivantes: Port USB, borne d'entrée mini AV, borne d'entrée HDMI, borne de sortie HDMI, borne d'entrée D-sub, borne d'entrée DisplayPort, borne d'entrée RS-232C, port USB de type C et borne TOUCH PANEL.

CHER CLIENT

Nous vous remercions d'avoir acheté cet appareil SHARP à écran LCD. Afin de garantir le bon fonctionnement de ce moniteur, nous vous conseillons de lire attentivement cette brochure et de la conserver pour toute référence ultérieure.



PRÉCAUTIONS DE SÉCURITÉ

L'électricité remplit de nombreuses fonctions utiles, mais elle peut provoquer des blessures et des dégâts matériels si elle n'est pas utilisée correctement. Cet appareil a été conçu et fabriqué en attachant la plus grande importance à la sécurité. Cependant, une utilisation inadéquate peut entraîner une décharge électrique et/ou un incendie. Afin d'éviter tout danger potentiel, veuillez respecter les consignes suivantes lors de l'installation, de l'utilisation et du nettoyage de l'appareil. Afin d'assurer votre propre sécurité et de prolonger la durée de service de votre moniteur LCD, veuillez lire attentivement les précautions ci-dessous avant d'utiliser l'appareil.

1. Lisez ces explications — Vous devez lire et comprendre toutes les informations relatives au fonctionnement de l'appareil avant de l'utiliser.
2. Conservez cette brochure dans un endroit sûr — Ces explications concernant la sécurité et le fonctionnement doivent être conservées dans un endroit sûr pour vous y référer en cas de besoin.
3. Respectez les avertissements — Tous les avertissements figurant sur l'appareil et dans ce mode d'emploi doivent être strictement respectés.
4. Suivez les instructions — Toutes les explications sur le fonctionnement doivent être respectées.
5. Nettoyage — Débranchez le cordon d'alimentation au niveau de la prise d'alimentation secteur avant de nettoyer l'appareil. Servez-vous d'un linge sec, et n'employez pas de détergents liquides ou en atomiseur. N'utilisez pas de linges sales. Cela risquerait d'endommager l'appareil.
6. Accessoires — N'utilisez pas d'accessoires non recommandés par le fabricant, car cela pourrait provoquer des accidents.
7. Eau et humidité — N'utilisez pas cet appareil près de l'eau. N'installez pas le produit à un endroit où il pourrait recevoir de l'eau. Évitez en particulier les emplacements sous les appareils à vidange d'eau tels que les climatiseurs.
8. Ventilation — Des ouïes et autres ouvertures sont prévues dans le coffret de l'appareil pour sa ventilation. Ne recouvrez pas et ne bouchez pas ces ouvertures car une ventilation insuffisante peut provoquer une surchauffe et réduire la durée de vie de l'appareil. Ne placez pas l'appareil sur un sofa, un tapis ou toute autre surface analogue car cela pourrait obstruer les ouvertures de ventilation. Cet appareil n'est pas conçu pour une installation encastrée; ne le placez donc pas dans un endroit fermé comme une bibliothèque ou une baie à moins qu'une ventilation adéquate ne soit prévue et que les consignes du fabricant ne soient respectées.
9. Protection du cordon d'alimentation — Faites passer les cordons d'alimentation à un endroit où ils ne seront pas écrasés ou coincés par d'autres objets.
10. L'écran utilisé dans ce produit est en verre et, par conséquent, il peut se briser si l'appareil tombe ou s'il reçoit un fort impact. Veuillez à ne pas être blessé par les éclats de verre au cas où l'écran se romprait.
11. Surcharge — Ne surchargez pas les prises d'alimentation secteur ou les rallonges car cela peut entraîner un risque d'incendie ou d'électrocution.
12. Insertion de solides ou de liquides — N'introduisez jamais des objets par les orifices de cet appareil, car ils pourraient provoquer une électrocution et/ou un court-circuit en touchant des pièces internes sous haute tension. Pour la même raison, ne renversez jamais de l'eau ou un liquide sur l'appareil.
13. Entretien — N'essayez pas de réparer vous-même l'appareil. Le démontage des couvercles peut vous exposer à une haute tension ou à d'autres dangers. Confiez toute réparation à un personnel qualifié.
14. Réparation — Dans les cas suivants, débranchez le cordon d'alimentation au niveau de la prise d'alimentation secteur et demandez à un personnel qualifié d'effectuer les réparations.
 - a. Dégât sur le cordon d'alimentation ou la prise de courant.
 - b. Infiltration d'un liquide ou pénétration d'un objet à l'intérieur de l'appareil.
 - c. Exposition de l'appareil à la pluie ou à l'eau.
 - d. Fonctionnement anormal malgré une conformité aux explications du mode d'emploi. Ne réglez que les commandes dont il est fait mention dans le mode d'emploi. Un réglage incorrect des autres commandes peut provoquer des dégâts qui nécessiteraient des réparations complexes par un technicien spécialisé.
 - e. Chute ou dégâts subis par l'appareil.
 - f. Lorsque le produit affiche un état anormal. Tout changement notable ou situation anormale de l'appareil indique qu'une réparation est nécessaire.
15. Pièces de rechange — Lorsque des pièces doivent être remplacées, assurez-vous que le technicien a utilisé les pièces spécifiées par le fabricant ou des pièces dont les performances et les caractéristiques sont identiques. Des changements non autorisés de pièces peuvent entraîner un incendie, une électrocution et/ou d'autres dangers.
16. Contrôles de sécurité — Après une intervention d'entretien ou de réparation, demandez au technicien de procéder à un contrôle pour être sûr que l'appareil peut être utilisé en toute sécurité.
17. Installation sur paroi — Si l'appareil doit être fixé sur une paroi, installez-le en respectant la méthode recommandée par le fabricant.
18. Sources de chaleur — Tenez l'appareil à l'écart de sources de chaleur, telles que radiateurs, dispositifs de chauffage, poêles et autres appareils dégageant de la chaleur (y compris les amplificateurs).
19. Piles — Une utilisation incorrecte des piles peut les faire éclater ou prendre feu. Une pile qui fuit peut causer des corrosions dans l'équipement, des salissures aux mains ou abîmer vos vêtements. Afin d'éviter ces problèmes, assurez-vous que les précautions suivantes sont appliquées:
 - Utilisez seulement des piles prescrites.
 - Installez les piles en faisant bien attention aux polarités plus (+) et moins (-) des piles selon les instructions dans le compartiment.
 - Ne mélangez pas des piles usagées avec des neuves.
 - Ne mélangez pas des piles de différents types. Les spécifications de voltage des piles du même format peuvent varier.
 - Remplacez rapidement une pile épuisée par une nouvelle.
 - Si vous n'avez pas l'intention d'utiliser la télécommande pendant une longue période, retirez les piles.
 - Si le liquide provenant d'une pile qui fuit touche votre peau ou vos habits, rincez immédiatement et complètement les parties touchées. Si un œil est touché, faites immédiatement un bain d'œil plutôt que de le frotter et cherchez immédiatement un traitement médical. Le liquide provenant de la fuite d'une pile qui atteint votre œil ou vos habits peut causer une irritation de la peau ou des dommages à votre œil.



20. L'utilisation de ce moniteur ne doit pas entraîner des risques mortels ou des dangers qui pourraient provoquer directement la mort, des dommages corporels, des dommages physiques sévères ou d'autres destructions, y compris dans le contrôle des réactions nucléaires dans les installations nucléaires, dans le système médical de réanimation, et dans le contrôle de lancement des missiles dans les systèmes d'armes.
21. N'entrez pas en contact direct avec les parties du produit ayant chauffé pendant de longues périodes. Il pourrait en résulter des brûlures à basse température.
22. Ne modifiez pas ce produit.

AVERTISSEMENT:

Un appareil de CLASSE I doit être raccordé à une prise de courant principal par une prise de terre.

RISQUE DE STABILITÉ

Un moniteur placé sur un support instable est dangereux en raison des risques de chute qu'il présente. De nombreuses blessures, touchant en particulier les enfants, peuvent être évitées en prenant quelques précautions simples:

- Utiliser les dispositifs de fixation tels que les supports muraux recommandés par le fabricant.
- Utiliser uniquement des meubles capables d'accueillir le moniteur en toute sécurité.
- Vérifier que le moniteur ne dépasse pas du bord du meuble sur lequel il est posé.
- Ne pas placer le moniteur sur des meubles hauts, armoires ou étagères, par exemple, sans fixer le meuble concerné et le moniteur à un support approprié.
- Ne pas intercaler de tissu ou toute autre matière entre le moniteur et le meuble sur lequel il est posé.
- Expliquer aux enfants qu'il est dangereux de grimper sur les meubles pour atteindre le moniteur ou ses boutons de commande.
- Cet équipement n'est pas destiné à être utilisé dans des endroits où il peut y avoir des enfants laissés sans surveillance.

En particulier pour la sécurité des enfants

- Ne laissez pas les enfants grimper sur ou jouer avec le moniteur.
- Ne placez pas le moniteur sur des meubles qui peuvent facilement se transformer en marches comme une commode avec tiroirs.
- Souvenez-vous que les enfants s'excitent souvent en visionnant un programme, surtout sur un moniteur "plus grand que la normale". Il faut faire en sorte d'installer le moniteur là où il ne peut pas être poussé, tiré, ni basculé.
- Il faut faire en sorte de placer les fils et les câbles connectés au moniteur de façon à ce que des enfants curieux ne puissent pas les tirer ni les saisir.

MESURES DE SÉCURITÉ

- N'utilisez pas le moniteur dans un endroit où il y a beaucoup de poussières, où le degré d'humidité est élevé, ou encore là où il pourrait se trouver en contact avec de l'huile ou de la vapeur. Ne l'utilisez pas non plus dans un environnement contenant des gaz corrosifs (dioxyde de soufre, sulfure d'hydrogène, dioxyde d'azote, chlore, ammoniac, ozone, etc.). Cela pourrait provoquer un début d'incendie.
- Assurez-vous que le moniteur ne se trouve pas en contact avec de l'eau ou d'autres fluides. Assurez-vous qu'aucun objet tel que des agrafes et des trombones ne pénètre dans le moniteur, car cela pourrait provoquer un début d'incendie ou un choc électrique.
- N'installez pas le moniteur au dessus des objets instables ou dans des endroits peu sûrs. Faites attention que le moniteur ne reçoive pas de chocs violents ni de fortes vibrations. Provoquer la chute du moniteur ou le culbuter peut l'endommager.
- N'utilisez pas le moniteur à proximité d'un appareil de chauffage ou dans des endroits où la température est élevée, car cela pourrait conduire à un dégagement excessif de chaleur et provoquer un début d'incendie.
- N'utilisez pas le moniteur dans des endroits exposés directement à la lumière du soleil. Il y a risque de déformation et de dysfonctionnement du coffret de l'appareil si le moniteur est utilisé à la lumière directe du soleil.
- Veillez à nettoyer fréquemment la poussière et les débris accumulés sur les ouvertures de ventilation. L'accumulation de poussière sur les ouvertures de ventilation ou à l'intérieur du moniteur risque d'entraîner une surchauffe, un incendie ou un dysfonctionnement. Faites nettoyer l'intérieur du moniteur par un revendeur ou un centre de services autorisé.
- La prise d'alimentation secteur doit être installée près de l'équipement et être facilement accessible.
- Durée de fonctionnement en continu et garantie. Ce produit est conçu pour une utilisation quotidienne maximale de 16 heures. Une utilisation en continu supérieure à 16 heures par jour n'est pas couverte par la garantie.
- Ne faites pas fonctionner l'écran avec un objet rigide ou pointu tel qu'un ongle ou un crayon.

Le cordon d'alimentation


- Utilisez seulement le cordon d'alimentation fourni avec le moniteur.
- N'endommagez pas le cordon d'alimentation, ne déposez pas d'objets lourds sur le cordon d'alimentation, ne tirez pas dessus et ne le pliez pas de manière excessive. De même, n'ajoutez pas de rallonges. Tout endommagement du cordon d'alimentation peut provoquer un début d'incendie ou un choc électrique.
- Ne branchez pas le cordon d'alimentation sur une prise multiple. Ajouter une rallonge peut entraîner une surchauffe et provoquer un début d'incendie.
- Ne débranchez pas ni ne branchez la prise d'alimentation avec des mains humides. En ce faisant, vous risquez un choc électrique.
- Débranchez le cordon d'alimentation si l'équipement n'est pas utilisé pendant une longue période.
- Ne tentez pas de réparer le cordon d'alimentation s'il est coupé ou s'il ne fonctionne pas correctement. Veuillez prendre contact avec le service après-vente et suivre ses recommandations.

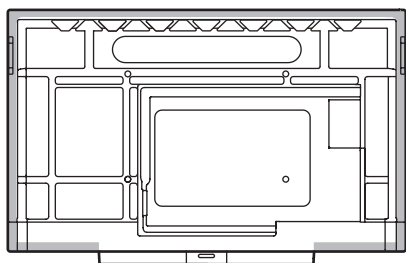
Le LAN sans fil

- Ce moniteur ne peut être utilisé que dans le pays ou la région où vous l'avez acheté.
- Les chaînes et les fréquences pouvant être utilisées pour le LAN sans fil varient selon le pays et selon la région.
- Cet appareil est limité à une utilisation en intérieur, car il fonctionne dans la plage de fréquence de 5,15 GHz à 5,25 GHz.

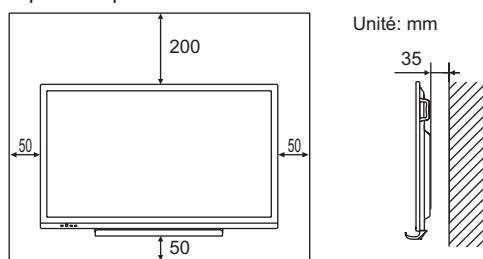


PRÉCAUTIONS POUR LE MONTAGE

- Ce produit est destiné à être utilisé en intérieur.
- Un support de montage conforme aux spécifications VESA est nécessaire.
- Comme le moniteur est lourd, consultez votre revendeur avant l'installation, le démontage ou le déplacement du moniteur.
- Le montage du moniteur sur le mur demande des compétences techniques spéciales et le travail doit être fait par un revendeur agréé. Vous ne devez jamais tenter de faire ce travail vous-même. Notre société déclinera toute responsabilité pour les accidents ou blessures causés par un montage incorrect ou par une mauvaise manipulation.
- Utilisez le moniteur perpendiculairement à la surface horizontale.
- Lorsque vous déplacez le moniteur, assurez-vous de le tenir par les poignées ou par les parties indiquées dans  ci-dessous. Ne le saisissez pas par l'écran ou le plateau. Cela risque d'endommager le produit, provoquer une panne ou des blessures.
- N'utilisez pas le produit à des endroits où l'unité est exposée aux rayons directs du soleil ou à un autre éclairage puissant. Comme ce produit fonctionne avec des rayons infrarouges, une telle lumière risque de causer des dysfonctionnements.
- Lorsque vous utilisez plusieurs moniteurs à proximité l'un de l'autre, assurez-vous que les transmetteur/récepteur infrarouge ne se parasitent pas.



- Ce moniteur doit être utilisé sous une température ambiante entre 5°C et 35°C. Laissez assez d'espace autour du moniteur pour empêcher que la chaleur ne s'accumule à l'intérieur.

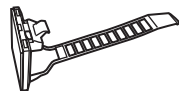


- S'il s'avère difficile de laisser un espace suffisant pour une raison quelconque, telle que l'installation du moniteur dans logement ou le montage côte à côte de plusieurs appareils, ou lorsque la température ambiante risque de se situer en dehors de la plage 5°C à 35°C, installez un ventilateur ou prenez d'autres mesures pour maintenir la température ambiante dans les limites de la plage requise.
- Lors de l'installation de deux moniteurs ou plus côte à côte, laissez un espace d'au moins 5 mm autour de chacun d'eux pour éviter une pression sur l'appareil ou la structure adjacente du fait de l'expansion thermique.
- La température de fonctionnement du moniteur peut être différente de celle des accessoires additionnels recommandés par SHARP. Lorsque c'est le cas, veuillez vérifier la température de fonctionnement des accessoires additionnels.
- Ne bloquez pas les ouvertures de ventilation. Si la température dans le moniteur s'élève, ceci pourrait causer un dysfonctionnement.
- Ne placez le moniteur sur un équipement qui dégage de la chaleur.

Composants fournis

Si un composant venait à manquer, veuillez contacter votre revendeur.

- Moniteur à cristaux liquides: 1
- Télécommande: 1
- Serre-câble: 3



- Cordon d'alimentation: 1
- Pile de télécommande: 2
- Manuel d'Installation (ce manuel): 1
- Stylet: 2
- Support de la caméra: 1
- Vis de la support de la caméra (M3x6): 1
- Vis de la caméra (filetage en 2,5 cm): 1

- Plateau: 1
- Vis de montage de plateau (M3x8): 4
- Câble USB: 1
- Adaptateur sans fil: 1



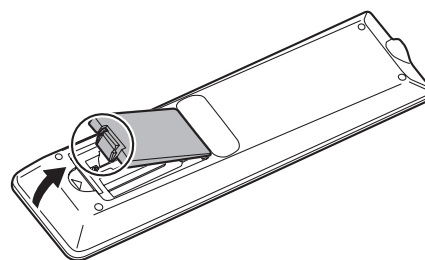
- Logo SHARP sur le couvercle: 1
Placez cet autocollant sur le logo SHARP pour le couvrir.

* Pensez à votre environnement !
Ne pas jeter les piles avec les ordures ménagères; la mise au rebut des piles exige un traitement spécial.

FRANÇAIS

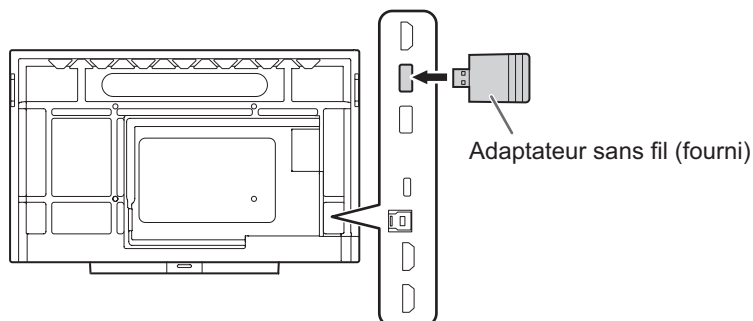
Préparation de la télécommande

1. Placer votre doigt sur la pièce marquée d'un ▲, puis tirer pour enlever le couvercle.
2. Reportez-vous aux instructions dans le compartiment et insérez les piles (R03 ou LR03 (format "AAA") x 2) avec leurs pôles positifs (+) et négatifs (-) orientés correctement.
3. Refermer le couvercle.



Fixation de l'adaptateur sans fil

1. Connectez l'adaptateur sans fil fourni au port USB pour le mode APPLICATION.

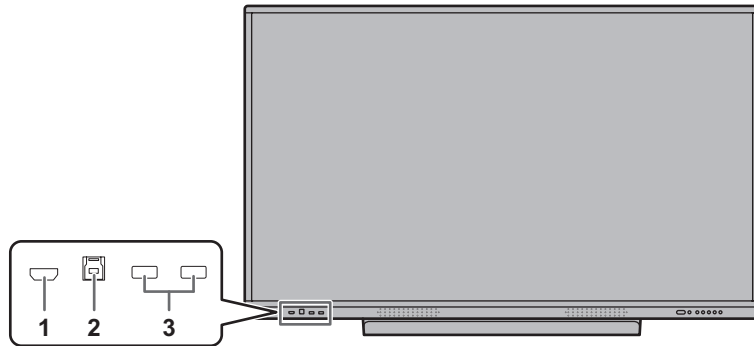


Connexions

! Attention

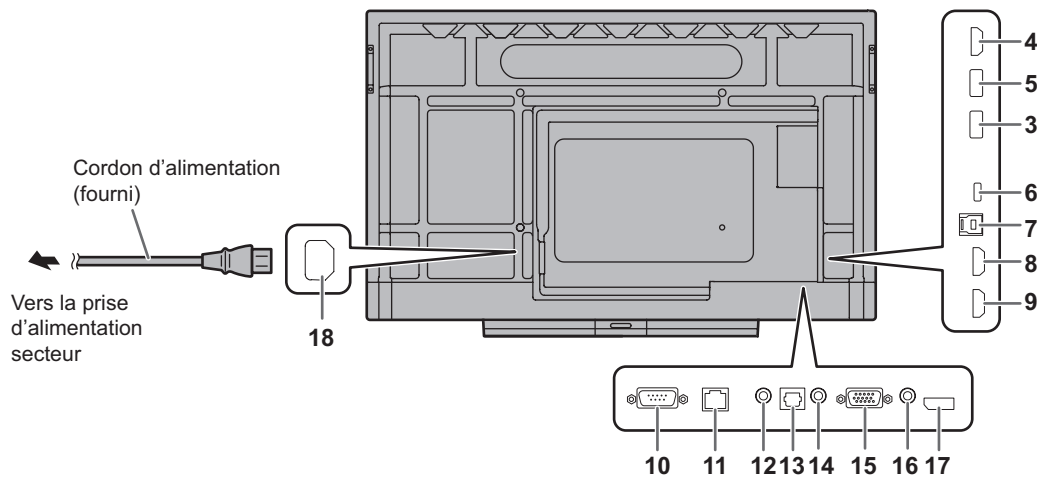
- Veillez à bien mettre hors tension l'interrupteur principal puis débranchez la prise de l'alimentation secteur avant de connecter ou de déconnecter les câbles. Lisez également le manuel de l'équipement à connecter.
- Veillez à ne pas confondre la borne d'entrée avec la borne de sortie quand vous connectez les câbles. En confondant les câbles branchés aux bornes d'entrée et de sortie, vous pouvez causer des dysfonctionnements et d'autres problèmes.

■ Vue de face



1. Borne d'entrée HDMI1
2. Borne TOUCH PANEL1 (pour écran tactile) (pour HDMI1)
3. Port USB (compatible USB 3.0)

■ Vue de l'arrière

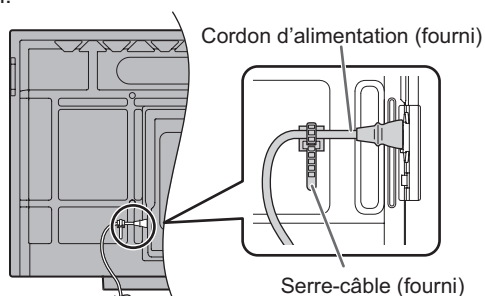


4. Borne de sortie HDMI
5. Port USB pour le mode APPLICATION (compatible USB 3.0)
6. Port USB de type C
7. Borne TOUCH PANEL2 (pour écran tactile) (pour HDMI2/HDMI3/DisplayPort/D-SUB)
8. Borne d'entrée HDMI2
9. Borne d'entrée HDMI3
10. Borne d'entrée RS-232C
11. Borne LAN
12. Borne de sortie audio
13. Borne de sortie audio numérique (optique)
14. Borne d'entrée audio
15. Borne d'entrée D-Sub
16. Borne d'entrée mini AV
17. Borne d'entrée DisplayPort
18. Borne d'entrée secteur

La borne TOUCH PANEL est USB3.0 Type B.
Même si la forme du connecteur est différente, le câble USB (USB 2.0 Type B) (fourni) peut être connecté à la borne TOUCH PANEL.

Conseils

- Assurez-vous de bloquer le cordon d'alimentation (fourni) au moyen du serre-câble (fournie). Lorsque vous accrochez le cordon d'alimentation, veillez à ne pas exercer une force excessive sur la borne du cordon d'alimentation. Ne pliez pas excessivement le cordon d'alimentation.



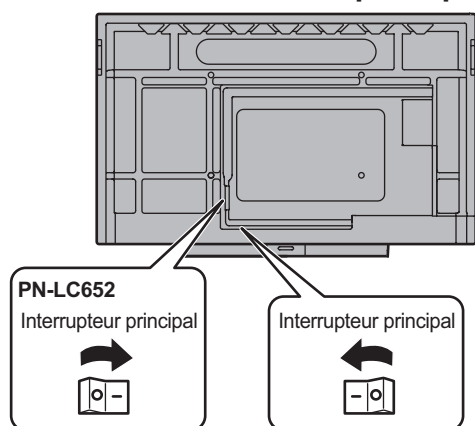
- Pour utiliser l'écran tactile avec une connexion HDMI / D-sub / DisplayPort, connectez le câble USB fourni à l'ordinateur. L'écran tactile et le stylet fonctionnent avec le pilote standard de chaque système d'exploitation. Sur le Mac, le fonctionnement est uniquement possible en mode souris.
- Le Information Display Downloader est également téléchargeable sur le site web suivant.
<https://business.sharppusa.com/product-downloads>
Une fois le Information Display Downloader installé, vous pouvez consulter et télécharger les dernières versions des logiciels. Pour installer le logiciel, reportez-vous au manuel de chacun.
Les programmes de configuration de Pen Software et les programmes de configuration de Touch Viewer peuvent être téléchargés à l'aide de Information Display Downloader.
- Apple et Mac sont des marques commerciales de Apple Inc., enregistrées aux États-Unis et dans d'autres pays.
- Les termes HDMI, HDMI High-Definition Multimedia Interface, la présentation commerciale HDMI et les logos HDMI sont des marques ou des marques déposées de HDMI Licensing Administrator, Inc.
- DisplayPort est une marque déposée de Video Electronics Standards Association.
- Adobe, Acrobat, et Acrobat Reader sont des marques déposées ou des marques commerciales de Adobe aux États-Unis et/ou dans d'autres pays.
- VESA est une marque déposée ou une marque commerciale de Video Electronics Standards Association aux États-Unis et/ou dans d'autres pays.
- Toutes les autres marques et les noms de produits sont des marques commerciales ou des marques déposées par les compagnies respectives.

Mise sous tension et hors tension

! Attention

- Mettez sous tension le moniteur d'abord avant de mettre sous tension l'ordinateur ou l'équipement de lecture.
- Lors de la mise hors tension et de la remise sous tension, ou lorsque vous appuyez sur l'interrupteur principal ou le bouton POWER, attendez toujours au moins 5 secondes. Un court intervalle peut entraîner un dysfonctionnement.

Mise sous tension de l'interrupteur principal



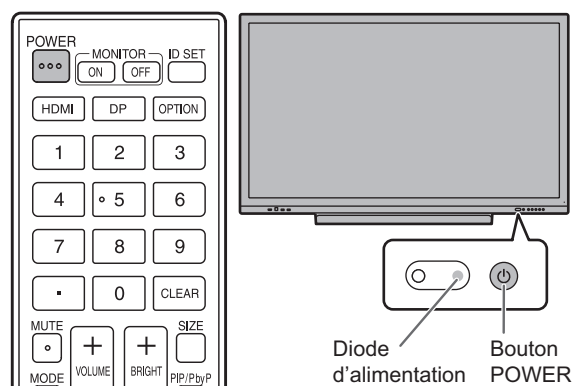
Lors de la mise sous tension, le moniteur passe en état de veille.
Mode arrêt, lorsque interrupteur principal est en position arrêt.

! Attention

- La mise sous/hors tension doit être effectuée à l'aide de l'interrupteur principal. Ne branchez/débranchez pas le cordon d'alimentation ou ne mettez pas le disjoncteur sous/hors tension lorsque l'interrupteur principal est en position marche.
- Pour déconnecter complètement l'alimentation électrique, retirez la fiche principale de la prise.

Mise sous tension

1. Appuyez sur le bouton POWER.



| État | État du moniteur |
|---|--|
| Allumé en bleu | Power en position marche État de sommeil (rétroéclairage éteint) |
| Allumé en orange | Power en position arrêt (état de veille* ¹) |
| Clignotement en orange (environ à intervalle 2 secondes) | Power en position arrêt (état de veille* ²) |
| Clignotement en orange (environ à intervalle d'une seconde) | État d'attente du signal d'entrée |

* 1 Lorsque "Mode Économie d'énergie" est activé.
Mode veille lorsque "Wake On LAN" est désactivé.
Mode veille avec maintien de la connexion au réseau lorsque "Wake On LAN" est activé.
Mode veille avec maintien de la connexion au réseau permet au moniteur d'être allumé via réseau (LAN, RS-232C et HDMI CEC).

* 2 Lorsque "Mode Économie d'énergie" est désactivé.



■ Opérations après la première mise sous tension

Lorsque vous mettez l'appareil sous tension pour la première fois, l'écran des réglages langues s'affiche. Assurez-vous que la date et l'heure sont réglées.

1. Sélectionnez une langue, puis touchez "Suivant".
2. Sélectionnez le fuseau horaire, puis touchez "Suivant".
3. Réglez la date et l'heure, puis touchez "Suivant".

L'écran de réglage du mode économie d'énergie apparaît.

4. Configurez les réglages en suivant les instructions à l'écran.

OUI:

- "Mode économie d'énergie" est activé et "Wake On LAN" est désactivé.
- La consommation d'énergie est réduite lorsque le moniteur est en état de veille. Le mode APPLICATION se coupe également. À noter, toutefois, que le temps de démarrage depuis le état de veille s'allongera.

NO:

- "Mode économie d'énergie" est désactivé.
- Le temps de démarrage depuis le état de veille est réduit. À noter, toutefois, que la consommation d'énergie est plus importante en état de veille. Le mode APPLICATION continue de fonctionner en état de veille.

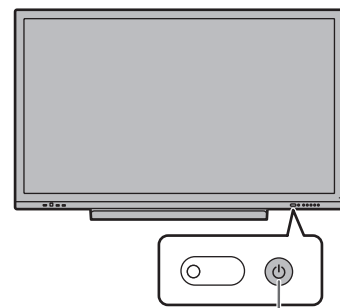
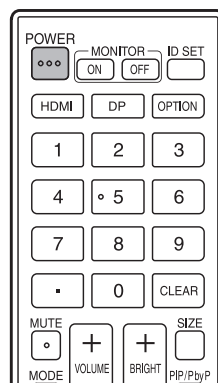
Après chaque réglage, il est possible de modifier "Mode économie d'énergie". (Voir le MODE D'EMPLOI.)

L'écran d'accueil du mode APPLICATION apparaît.



Mise hors tension

1. Appuyez sur le bouton POWER de la télécommande. Ou maintenez enfoncé sur le bouton POWER sur le moniteur.



Bouton POWER

Un écran de confirmation apparaît.

2. Sélectionnez "OK".

L'appareil est mis hors tension. (État de veille)

! Attention

- Lorsque l'alimentation est mis hors tension, les données d'application qui ne sont pas enregistrées sont perdues.
- Un message s'affiche avant la mise hors tension. Sauvegardez toutes les données dont vous avez besoin.
- Si le moniteur sera mis hors tension par emploi du temps, "Off si aucune opération" ou la commande informatique, sauvegardez toutes les données dont vous avez besoin à l'avance. L'appareil se mettra hors tension même s'il reste des données non sauvegardées. (Les données seront perdues.)

Caractéristiques

| Modèle | PN-LC862 | PN-LC752 | PN-LC652 |
|--|--|--|---|
| Alimentation | CA 100 - 240 V, 5,6 A, 50/60 Hz | CA 100 - 240 V, 4,7 A, 50/60 Hz | CA 100 - 240 V, 4,4 A, 50/60 Hz |
| Température de fonctionnement *1 | 5°C à 35°C | | |
| Hygrométrie de fonctionnement | 20% à 80% (sans condensation) | | |
| Consommation électrique *2 (Max) | 260 W (500 W) | 200 W (420 W) | 180 W (390 W) |
| Dimensions (mm) (à l'exclusion des éléments qui dépassent) | Environ 1967,9 (L) x 87,1 (P) x 1170,2 (H) | Environ 1722,5 (L) x 87,1 (P) x 1032,1 (H) | Environ 1511,6 (L) x 85,9 (P) x 917,9 (H) |
| Poids (kg) | Environ 65 | Environ 51 | Environ 38,5 |

*1 La température de fonctionnement du moniteur peut être différente de celle des accessoires additionnels recommandés par SHARP. Lorsque c'est le cas, veuillez vérifier la température de fonctionnement des accessoires additionnels.

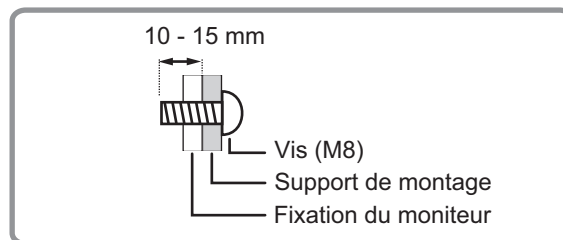
*2 Réglage d'usine. (Lorsque aucune pièce facultative n'est attachée.)


SHARP se réserve le droit d'apporter sans préavis des modifications à la présentation et aux caractéristiques des appareils aux fins d'amélioration. Les valeurs indiquées dans ce document sont les valeurs nominales des appareils de série mais de légères différences peuvent être constatées d'un appareil à l'autre.

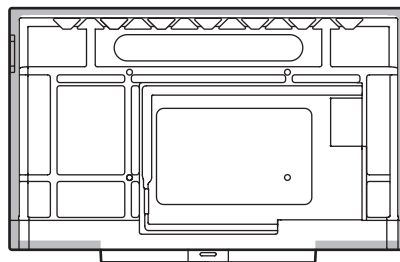


Précautions pour le montage (À l'attention des revendeurs et techniciens SHARP)

- L'installation, le démontage ou le déplacement du moniteur doit être fait par 4 personnes ou plus. (PN-LC652 : 2 personnes ou plus.)
- Veillez à utiliser un support mural conçu ou prévu pour la fixation du moniteur.
- Ce moniteur est prévu pour être installé sur un mur ou un pilier en béton. Un travail de renforcement pourrait s'avérer nécessaire pour certains matériaux tels que le plâtre, un mince panneau de plastique ou le bois avant de commencer l'installation.
- Le mur sur lequel ce moniteur et le support doivent être installés doit pouvoir supporter, au moins, 4 fois son poids ou davantage. Installez de la manière qui convient le mieux en fonction du matériau et de la structure.
- Pour fixer un support de montage compatible avec VESA, utilisez des vis M8 de 10 mm à 15 mm plus longues que l'épaisseur du support de montage.



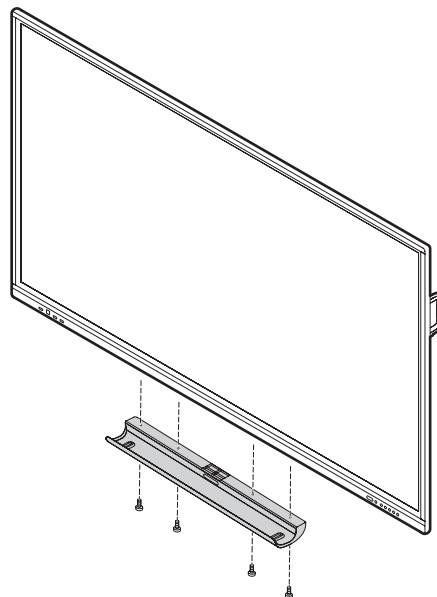
- N'utilisez pas de tournevis à percussion.
- Lorsque vous déplacez le moniteur, assurez-vous de le tenir par les poignées ou par les parties indiquées dans  ci-dessous. Ne le saisissez pas par l'écran ou le plateau. Cela risque d'endommager le produit, provoquer une panne ou des blessures.



- Si vous devez poser temporairement le moniteur sur une table ou une autre surface pendant l'installation, étalez un chiffon doux épais sur la table afin d'éviter d'endommager l'écran et la table.
- Avant de remballer ou de ranger le moniteur, retirez le plateau.
- Après le montage, assurez-vous que le moniteur est bien fixé au mur ou au support, sans risque de relâche.
- N'utilisez pas de trous de vis autres que les trous de vis pour les supports de montage et situés à l'arrière du moniteur, pour l'installation.

■ Fixation du plateau

Fixez le plateau en utilisant 4 vis de montage de plateau (M3x8) (fournies).





Índice

[ESPAÑOL]

| | | | |
|---|---|---|----|
| INFORMACIÓN IMPORTANTE | 1 | Conexión del adaptador inalámbrico | 5 |
| ESTIMADO CLIENTE DE SHARP | 1 | Conexiones | 6 |
| PRECAUCIONES DE SEGURIDAD | 2 | Encendido/apagado | 8 |
| INSTRUCCIONES DE SEGURIDAD | 3 | Especificaciones | 9 |
| PRECAUCIONES DE MONTAJE | 4 | Precauciones de montaje | |
| Componentes suministrados | 5 | (para distribuidores y técnicos de servicio de SHARP) ... | 10 |
| Preparación de la Unidad de control remoto | 5 | | |

Los manuales de funcionamiento se pueden descargar del siguiente sitio web:

<https://business.sharpusa.com/product-downloads>

(Se necesita Adobe Acrobat Reader para ver los manuales.)

INFORMACIÓN IMPORTANTE

ADVERTENCIA: PARA REDUCIR EL RIESGO DE INCENDIO O DESCARGAS ELÉCTRICAS, NO EXPONGA ESTE PRODUCTO A LA LLUVIA NI A LA HUMEDAD.

| | | |
|--|-------------------|--|
| | PRECAUCIÓN | |
| RIESGO DE DESCARGAS ELÉCTRICAS NO ABRIR | | |
| <p>PRECAUCIÓN: PARA REDUCIR EL RIESGO DE DESCARGAS ELÉCTRICAS, NO RETIRE LA TAPA. EN EL INTERIOR NO HAY PIEZAS QUE EL USUARIO PUEDA REPARAR. SOLICITE CUALQUIER REPARACIÓN A UN TÉCNICO DE SERVICIO CALIFICADO.</p> | | |



El símbolo del rayo con cabeza de flecha dentro de un triángulo está concebido para avisar al usuario de la presencia de "tensión peligrosa" sin aislamiento en el interior del producto que podría ser de magnitud suficiente para constituir un riesgo de descargas eléctricas a las personas.



El símbolo de exclamación dentro de un triángulo está concebido para avisar al usuario de la presencia de instrucciones importantes de uso y mantenimiento (servicio) en la documentación que acompaña al producto.

ESPAÑOL

ADVERTENCIA:

La normativa de la FCC establece que cualquier cambio o modificación no autorizados en este equipo y no aprobados expresamente por el fabricante podrían anular el derecho del usuario a utilizar el equipo.

NOTA:

Este equipo ha sido probado y es conforme a los límites para dispositivos digitales de la Clase B, de acuerdo con la Parte 15 de la normativa de la FCC. Estas limitaciones están destinadas a proveer una protección razonable contra parasitaje interferente en una instalación doméstica.

El equipo genera, emplea y puede irradiar frecuencia radio-energética y, caso de instalación y uso disconforme con las instrucciones, puede provocar interferencias en la comunicación vía radio. Ello, sin embargo, no es garantía de que no ocurran interferencias en una instalación específica.

Si el presente equipo provocara interferencias en la recepción radiofónica o televisiva que puede constatarse por la conmutación y desconmutación del mismo, se recomienda al usuario intentar corregir la interferencia mediante una o más de las siguientes medidas.

- Nueva orientación o ubicación de la antena de recepción.
- Aumento de la distancia entre el equipo y el aparato receptor.
- Conexión del equipo a una toma de corriente de un circuito eléctrico diferente al que se encuentra conectado el aparato receptor.
- Solicite la asistencia del concesionario o de un técnico en radio/TV experimentado.

EE.UU. SÓLO

Para mantener la conformidad con la normativa sobre compatibilidad electromagnética (EMC), utilice cables blindados para la conexión a los siguientes terminales: Puerto USB, terminal de entrada Mini AV, terminal de entrada HDMI, terminal de salida HDMI, terminal de entrada D-sub, terminal de entrada DisplayPort, terminal de entrada RS-232C, puerto USB tipo C y terminal TOUCH PANEL.

La operación de este equipo está sujeta a las siguientes dos condiciones: (1) es posible que este equipo o dispositivo no cause interferencia perjudicial y (2) este equipo o dispositivo debe aceptar cualquier interferencia, incluyendo la que pueda causar su operación no deseada.

ESTIMADO CLIENTE DE SHARP

Gracias por adquirir un producto LCD de SHARP. Para garantizar la seguridad y muchos años de funcionamiento sin problemas, lea atentamente las Precauciones de seguridad antes de utilizar este producto.



PRECAUCIONES DE SEGURIDAD

La electricidad se emplea para muchas funciones útiles pero también puede causar lesiones personales y daños en la propiedad si se manipula de forma inadecuada. Este producto se ha diseñado y fabricado poniendo el máximo énfasis en la seguridad. No obstante, el uso inadecuado podría tener como resultado descargas eléctricas y/o incendios. Para evitar peligros potenciales, observe las siguientes instrucciones cuando instale, utilice y limpie el producto. Para garantizar su seguridad y prolongar la vida de servicio de su producto de LCD, lea atentamente las siguientes precauciones antes de usar el producto.

1. Lea las instrucciones — Todas las instrucciones operativas deberán leerse y comprenderse antes de utilizar el producto.
2. Mantenga este manual en un lugar seguro — Estas instrucciones de seguridad y operativas deberán guardarse en un lugar seguro para referencia en el futuro.
3. Tenga en cuenta las advertencias — Todas las advertencias e instrucciones del producto deberán observarse estrictamente.
4. Respete las instrucciones — Deberán respetarse todas las instrucciones operativas.
5. Limpieza — Desenchufe el cable de alimentación de la toma de corriente antes de limpiar el producto. Utilice un paño seco para limpiar el producto. No emplee limpiadores líquidos ni aerosoles. No utilice paños sucios. Si lo hace puede dañar el producto.
6. Accesorios — No utilice accesorios no recomendados por el fabricante. El empleo de accesorios inadecuados podría provocar accidentes.
7. Agua y humedad — No utilice el producto cerca del agua. No instale este producto en lugares donde puedan producirse salpicaduras de agua. Preste especial atención a equipos que drenen agua, por ejemplo los de aire acondicionado.
8. Ventilación — Los respiraderos y otras ranuras de la caja están diseñados para ventilación. No cubra ni bloquee dichos respiraderos y ranuras, ya que la ventilación insuficiente podría provocar sobrecalentamiento y/o acortar la vida operativa del producto. No coloque el producto sobre un sofá, una alfombra u otras superficies similares ya que se podrían bloquear las ranuras de ventilación. No coloque el producto en un lugar cerrado como, por ejemplo, una librería o una estantería, a menos que se proporcione una ventilación adecuada o se respeten las instrucciones del fabricante.
9. Protección del cable de alimentación — Los cables de alimentación deberán ubicarse adecuadamente para evitar que las personas puedan tropezar con ellos o que los objetos puedan descansar sobre éstos.
10. La pantalla usada en este producto está hecha de vidrio. Consiguientemente, podría romperse si el producto cae al suelo o recibe un golpe. Tenga cuidado de no herirse con pedazos de vidrio roto en caso que se rompa la pantalla.
11. Sobrecarga — No sobrecargue las tomas de corriente ni los cables alargadores o regletas. La sobrecarga podría provocar incendios o descargas eléctricas.
12. Introducción de objetos y líquidos — No inserte nunca objetos en el producto a través de los respiraderos o las ranuras de ventilación. El producto tiene altas tensiones en su interior y la inserción de objetos podría provocar descargas eléctricas y/o cortocircuitar los componentes internos.
Por la misma razón, no derrame agua o líquidos sobre el producto.
13. Servicio — No intente reparar usted mismo el producto. La retirada de las tapas podría exponerle a alto voltaje y otras circunstancias peligrosas. Solicite cualquier reparación a un técnico de servicio calificado.
14. Reparación — Si se produjera cualquiera de las circunstancias siguientes, desenchufe el cable de alimentación de la toma de corriente y solicite la reparación a un técnico de servicio calificado.
 - a. Cuando el cable de alimentación o el enchufe esté dañado.
 - b. Cuando se haya derramado un líquido sobre el producto o hayan caído objetos al interior del producto.
 - c. Cuando se haya expuesto el producto a la lluvia o al agua.
 - d. Cuando el producto no funcione correctamente según lo descrito en las instrucciones operativas. No toque ningún control aparte de los descritos en las instrucciones de uso. El ajuste inadecuado de controles no descritos en las instrucciones podría provocar daños, lo que a menudo requiere un trabajo importante de ajuste por parte de un técnico calificado.
 - e. Cuando el producto haya caído al suelo o se haya dañado.
 - f. Cuando el producto presente un estado anormal. Cualquier anomalía perceptible en el producto indicará que éste necesita servicio.
15. Repuestos — En caso de que el producto necesite repuestos, asegúrese de que el técnico de servicio utiliza las piezas de sustitución especificadas por el fabricante, o unas con las mismas características y rendimiento que las piezas originales. El uso de piezas no autorizadas podría tener como resultado incendio, descargas eléctricas y/u otros daños.
16. Comprobaciones de seguridad — Tras la finalización del trabajo de servicio o reparación, solicite al técnico de servicio que lleve a cabo comprobaciones de seguridad para asegurarse de que el producto se encuentra en perfectas condiciones de funcionamiento.
17. Montaje mural — Cuando monte el producto sobre una pared, asegúrese de instalarlo de acuerdo con el método recomendado por el fabricante.
18. Fuentes de calor — Mantenga el producto alejado de fuentes de calor como pueden ser radiadores, calentadores, estufas y otros productos que generen calor (incluyendo amplificadores).
19. Pilas — El uso incorrecto de las pilas podría causar la explosión o ignición de las mismas. Las fugas de las pilas pueden oxidar el equipo y ensuciarle las manos o la ropa. Para evitar estos problemas, asegúrese de observar las siguientes precauciones:
 - Utilice únicamente las pilas especificadas.
 - Instale las pilas con la polaridad apropiada de las mismas (+) y (-) de acuerdo con las indicaciones del compartimento.
 - No mezcle pilas viejas y nuevas.
 - No mezcle pilas de distintos tipos. Las especificaciones de voltaje de pilas con la misma forma pueden variar.
 - Sustituya las pilas gastadas por unas nuevas a la mayor brevedad.
 - Extraiga las pilas si no piensa utilizar el control remoto durante un período de tiempo prolongado.
 - Si el líquido de pilas con fugas entrara en contacto con la piel o la ropa, lave inmediatamente con agua abundante. Si le entrara en los ojos, láveselos abundantemente sin frotar y acuda inmediatamente al médico. El contacto de líquido de las pilas con los ojos o la ropa podría causar irritación de la piel o daños oculares.
20. El monitor no deberá utilizarse en lugares con riesgos o peligros fatales que pudieran provocar directamente la muerte, lesiones personales, daños físicos graves u otras pérdidas, incluyendo control de reacción nuclear en instalaciones nucleares, sistemas médicos de soporte vital y control de lanzamiento de misiles en sistemas armamentísticos.

21. No permanezca en contacto durante períodos prolongados de tiempo con componentes del producto que se recalienten. Podrían producirse quemaduras de baja temperatura.
22. No modifique este producto.

ADVERTENCIA:

Un dispositivo de fabricación CLASE I deberá conectarse a una toma de corriente principal con una unión a tierra.

RIESGO DE ESTABILIDAD

Si el monitor no se coloca en una ubicación lo suficientemente estable, podría resultar potencialmente peligroso debido al riesgo de caída. Muchas lesiones, especialmente a los niños, pueden evitarse adoptando precauciones sencillas como pueden ser:

- Utilizar dispositivos de fijación como pueden ser soportes de montaje mural recomendados por el fabricante.
- Emplear únicamente muebles que puedan soportar de forma segura el monitor.
- Asegurarse de que el monitor no sobresale del borde del mueble que sirve de apoyo.
- No colocar el monitor sobre muebles altos (por ejemplo, armarios o librerías) sin anclar el mueble y el monitor a un soporte adecuado.
- No colocar los monitores sobre paños u otros materiales ubicados entre el monitor y el mueble de apoyo.
- Educar a los niños sobre los peligros de trepar a los muebles para llegar al monitor o a sus controles.
- Este equipo no es adecuado para su uso en lugares en los que sea probable que los niños puedan estar sin la supervisión de un adulto.

Especialmente para la seguridad de los niños

- No permita que los niños trepen al monitor o jueguen con éste.
- No coloque el monitor sobre muebles que se puedan usar como peldaños, como pueden ser los cajones de una cómoda.
- Recuerde que los niños se pueden agitar mientras ven un programa, especialmente en un monitor en el que las cosas se ven "más grandes que en la vida real". Deberá tenerse cuidado de colocar o instalar el monitor en lugares en los que no se pueda empujar, mover o tirar al suelo.
- Deberá procurarse enrutar todos los cables conectados al monitor de modo que los niños curiosos no puedan tirar de ellos ni agarrarlos.

ESPAÑOL

INSTRUCCIONES DE SEGURIDAD

- No emplee el monitor en lugares con un nivel elevado de polvo o humedad ni donde éste pueda entrar en contacto con aceite o vapor. Tampoco lo utilice en un entorno en el que haya gases corrosivos (dióxido de azufre, sulfuro de hidrógeno, dióxido de nitrógeno, cloro, amoníaco, ozono, etc.), ya que esto podría provocar un incendio.
- Asegúrese de que el monitor no entre en contacto con agua ni otros líquidos. Asegúrese de no introducir en el monitor objetos como pueden ser clips o chinchetas, ya que esto podría causar incendios o descargas eléctricas.
- No coloque el monitor encima de objetos inestables ni en lugares inseguros. No permita que el monitor reciba golpes fuertes ni que vibre demasiado. La caída o pérdida de equilibrio del monitor podría dañarlo.
- No utilice el monitor cerca de aparatos de calefacción ni en lugares donde puedan existir temperaturas elevadas, ya que esto podría conducir a la generación de calor excesivo y provocar un incendio.
- No utilice el monitor en lugares en los que pueda estar expuesto a la luz solar directa. Existe riesgo de que la caja se deforme o de que se produzca un fallo de funcionamiento si se utiliza el monitor bajo la luz solar directa.
- Asegúrese de limpiar periódicamente el polvo y la suciedad adheridos a los respiraderos. Si se acumulara polvo en los respiraderos o en el interior del monitor, podría producirse recalentamiento excesivo, un incendio o fallos de funcionamiento. Solicite la limpieza del interior del monitor a un distribuidor o servicio técnico autorizado.
- La toma de corriente deberá estar instalada cerca del equipo y ser accesible fácilmente.
- Tiempo de funcionamiento continuado y garantía. Este producto se ha diseñado para un uso diario máximo de 16 horas. La garantía no cubrirá un uso continuado que sobrepase las 16 horas al día.
- No use la pantalla con un objeto puntiagudo o duro como una uña o lápiz.


Cable de alimentación

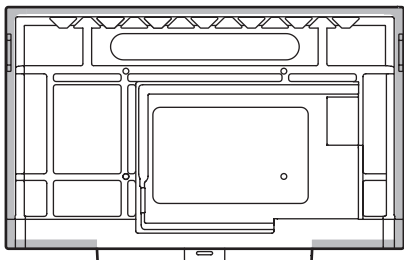
- Emplee únicamente el cable de alimentación suministrado con el monitor.
- No dañe el cable de alimentación ni coloque objetos pesados sobre el mismo. No lo estire ni lo doble excesivamente. Tampoco añada cables alargadores ni regletas. Si el cable se daña, podrían producirse incendios o descargas eléctricas.
- No utilice el cable de alimentación con una regleta. La adición de un cable alargador o una regleta podría causar un incendio por sobrecalentamiento.
- No retire ni inserte el enchufe con las manos mojadas. Podrían producirse descargas eléctricas.
- Desenchufe el cable de alimentación si no piensa utilizar el equipo durante un período de tiempo prolongado.
- No intente reparar el cable de alimentación si éste está roto o no funciona adecuadamente. Solicite cualquier reparación al representante de servicio técnico autorizado.

LAN inalámbrica

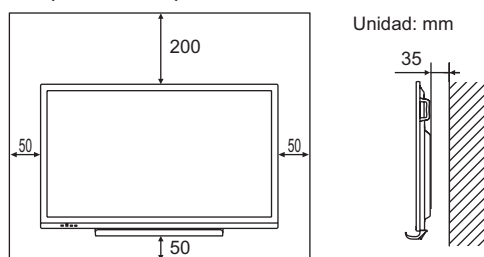
- Este monitor no puede utilizarse en un país o una región que no sea donde fue adquirido.
- Los canales y las frecuencias que se pueden usar para la LAN inalámbrica varían según el país y la región.
- Este dispositivo está restringido para uso en interiores debido a su funcionamiento en el rango de frecuencia de 5,15 GHz a 5,25 GHz.

PRECAUCIONES DE MONTAJE

- Este producto es para uso en interiores.
- Se requiere un soporte de montaje en conformidad con las especificaciones VESA.
- Este monitor es pesado. Por consiguiente, consulte a su distribuidor antes de instalar, desinstalar o trasladar el monitor.
- El montaje mural del monitor requiere un soporte especial y el trabajo deberá ser efectuado por un distribuidor autorizado. Nunca deberá intentar realizar este trabajo usted mismo. Nuestra empresa no se hace responsable en caso de accidentes o lesiones causados por un montaje o una manipulación inadecuados.
- Utilice el monitor perpendicular a una superficie nivelada.
- Al mover el monitor, asegúrese de sujetar las asas o las partes marcadas con  más abajo. No agarra la pantalla ni la bandeja. Esto puede provocar daños en el producto, fallos o lesiones.
- Cuando utilice varios monitores de cerca, asegúrese de que el transmisor/receptor de infrarrojos no afecta a las otras.



- Este monitor deberá utilizarse a una temperatura ambiente de entre 5°C y 35°C. Proporcione espacio suficiente alrededor del monitor para evitar que el calor se acumule en su interior.

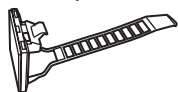


- Si resultase difícil dejar un espacio suficiente por algún motivo como, por ejemplo, la instalación del monitor dentro de una carcasa o la instalación de varias unidades una al lado de la otra, o si la temperatura ambiente estuviese fuera del rango de entre 5°C y 35°C, instale un ventilador o adopte otras medidas para mantener la temperatura ambiente dentro del rango requerido.
- En el caso de instalar dos o más monitores uno al lado del otro, deje un espacio de al menos 5 mm alrededor de los mismos, con el fin de evitar que la unidad o estructura adyacente quede expuesta a una tensión causada por la expansión térmica.
- Las condiciones de temperatura podrían cambiar al utilizar el monitor conjuntamente con los equipos opcionales recomendados por SHARP. En dichos casos, compruebe las condiciones de temperatura especificadas por los equipos opcionales.
- No bloquee ninguna ranura de ventilación. Si la temperatura del interior del monitor aumentara, podrían producirse mal funcionamiento.
- No coloque el monitor sobre un dispositivo que genere calor.
- No use el producto en lugares donde la unidad quede expuesta a los rayos directos del sol u otras luces fuertes. Debido a que este producto funciona mediante rayos infrarrojos, esa luz puede provocar mal funcionamiento.

Componentes suministrados

Si falta algún componente, póngase en contacto con su distribuidor.

- Monitor de pantalla de cristal líquido: 1
- Control remoto: 1
- Abrazadera para cable: 3



- Cable de alimentación: 1
- Pila del control remoto: 2
- Manual de Instalación (este manual): 1
- Lápiz táctil: 2
- Soporte para cámara: 1
- Tornillo de soporte para cámara (M3x6): 1
- Tornillo para cámara (rosca en pulgadas): 1

- Bandeja: 1
- Tornillos de montaje de la bandeja (M3x8): 4
- Cable USB: 1
- Adaptador inalámbrico: 1

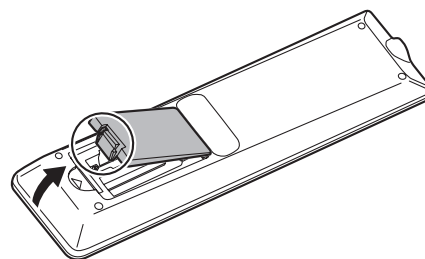


- Tapa logo SHARP: 1
Coloque esta etiqueta sobre el logotipo de SHARP para tapar el logotipo.

* ¡Para protección medioambiental!
No vierta las pilas en la basura doméstica. Respete la normativa de vertido local.

Preparación de la Unidad de control remoto

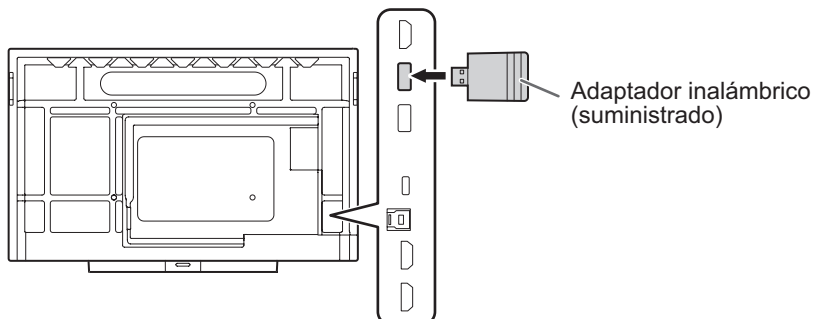
1. Coloque el dedo en la pieza marcada con ▲, luego separe la tapa.
2. Consulte las indicaciones del compartimento y coloque las pilas (R03 o LR03 (tamaño "AAA") x 2) con la polaridad (+) y (-) correcta.
3. Cierre la tapa.



ESPAÑOL

Conexión del adaptador inalámbrico

1. Conecte el adaptador inalámbrico suministrado al puerto USB para modo APPLICATION.

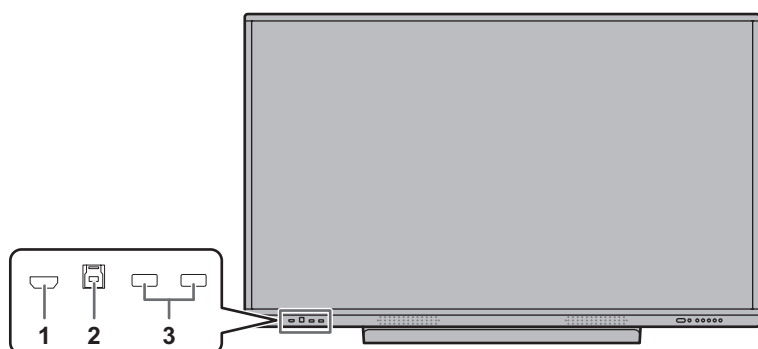


Conexiones

!Precaución

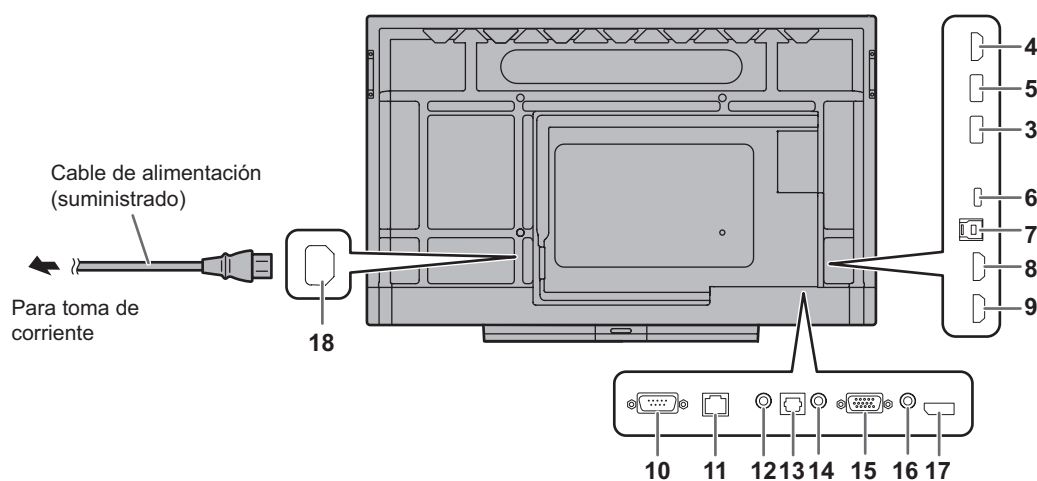
- Asegúrese de apagar el interruptor primario y desconectar el enchufe de la toma de corriente antes de conectar/desconectar los cables. Asimismo, lea el manual del equipo que desea conectar.
- Tenga cuidado de no confundir el terminal de entrada con el terminal de salida al conectar los cables. La inversión accidental de los cables conectados a los terminales de entrada y salida podría causar mal funcionamiento y otros problemas.

■ Vista frontal



1. Terminal de entrada HDMI1
2. Terminal TOUCH PANEL1
(para panel sensible al tacto)
(para HDMI1)
3. Puerto USB (compatible con USB 3.0)

■ Vista posterior

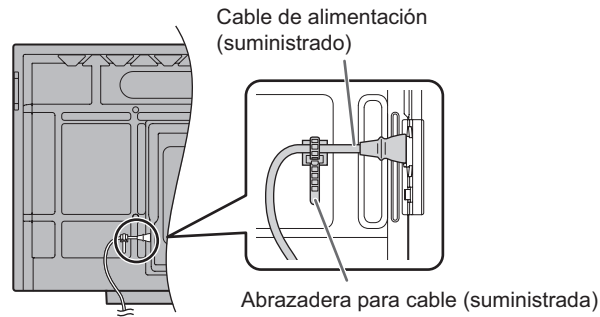


4. Terminal de salida HDMI
5. Puerto USB para modo APPLICATION
(compatible con USB 3.0)
6. Puerto USB tipo C
7. Terminal TOUCH PANEL2
(para panel sensible al tacto)
(para HDMI2/HDMI3/DisplayPort/D-SUB)
8. Terminal de entrada HDMI2
9. Terminal de entrada HDMI3
10. Terminal de entrada RS-232C
11. Terminal de LAN
12. Terminal de salida de audio
13. Terminal (óptico) de salida de audio digital
14. Terminal de entrada de audio
15. Terminal de entrada D-sub
16. Terminal de entrada Mini AV
17. Terminal de entrada DisplayPort
18. Terminal de entrada de corriente

El terminal TOUCH PANEL es USB3.0 tipo B.
Aunque la forma del conector es diferente, el cable USB (USB 2.0 tipo B) (suministrado) se puede conectar al terminal TOUCH PANEL.

CONSEJOS

- Asegúrese de sujetar el cable de alimentación (suministrado) utilizando la abrazadera para cable suministrada. Cuando apriete el cable de alimentación, tenga cuidado de dañar el terminal del cable de alimentación. No doble excesivamente el cable de alimentación.



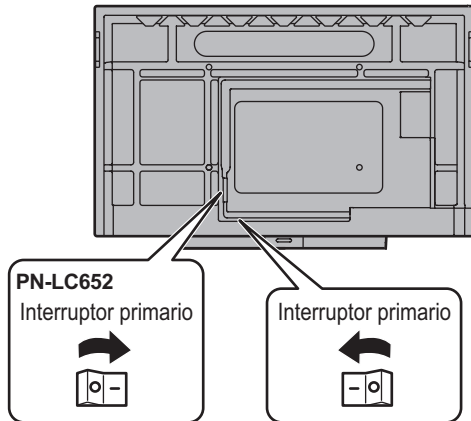
- Para usar el panel táctil con una conexión HDMI/D-sub/DisplayPort, conecte el cable USB suministrado a la computadora. El panel sensible al tacto y el lápiz táctil funcionan con el controlador estándar de cada sistema operativo. En equipos Mac, solo es posible el manejo en el modo ratón.
- Information Display Downloader también se puede descargar desde el siguiente sitio web.
<https://business.sharppusa.com/product-downloads>
Si está instalada la Information Display Downloader, podrá consultar y descargar las versiones más recientes de los programas de software.
Para instalar el software, consulte el manual correspondiente.
Programa de instalación de Pen Software y programa de instalación de Touch Viewer se pueden descargar mediante la Information Display Downloader.
- Apple y Mac son marcas comerciales de Apple Inc., registradas en los EE.UU. y otros países.
- Los términos HDMI, HDMI High-Definition Multimedia Interface, la Imagen comercial de HDMI (Trade dress) y los logotipos de HDMI son marcas comerciales o marcas registradas de HDMI Licensing Administrator, Inc.
- DisplayPort es una marca registrada de Video Electronics Standards Association.
- Adobe, Acrobat, y Acrobat Reader son marcas registradas o marcas comerciales de Adobe en los Estados Unidos de América y/u otros países.
- VESA es una marca registrada o una marca comercial de Video Electronics Standards Association en los Estados Unidos de América y/u otros países.
- Todos los demás nombres de marcas y productos son marcas comerciales o marcas registradas de sus respectivos propietarios.

Encendido/apagado

!Precaución

- Encienda el monitor antes de encender la computadora o el dispositivo de reproducción.
- Cuando apague el interruptor primario o el botón POWER y lo vuelva a encender, siempre espere 5 segundos como mínimo. Un intervalo demasiado corto podría provocar mal funcionamiento.

Encendido de la alimentación principal



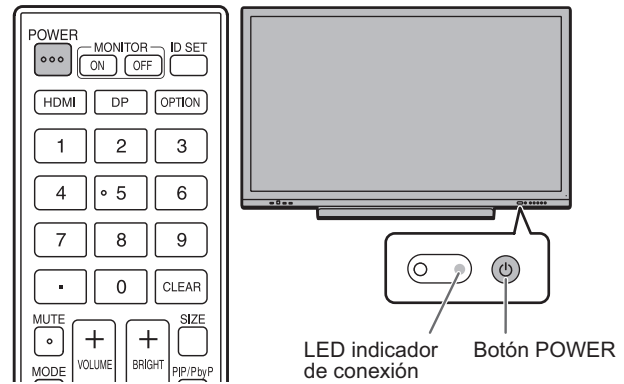
Al encender la alimentación principal, el monitor pasa al estado en espera.
Modo desactivado, cuando la alimentación principal está apagada.

!Precaución

- La alimentación principal deberá encenderse/apagarse con el interruptor primario. No conecte/desconecte el cable de alimentación ni active/desactive el disyuntor mientras el interruptor primario está encendido.
- Para la desconexión eléctrica completa, desconecte el enchufe principal.

Encendido

1. Pulse el botón POWER.



| Estado | Estado del monitor |
|---|---|
| Encendido en azul | Alimentación encendida Estado de suspensión (retroiluminación apagada) |
| Encendido en naranja | Alimentación apagada (estado en espera* ¹) |
| Parpadeo en naranja (con un intervalo aproximado de 2 segundos) | Alimentación apagada (estado en espera* ²) |
| Parpadeo en naranja (con un intervalo aproximado de 1 segundo) | Estado de espera de señal de entrada |

*1 Cuando está activado el "Modo ahorro de energía".
El modo preparado cuando "Wake On LAN" está desactivado.
El modo preparado en red cuando "Wake On LAN" está activado.

El modo preparado en red permite encender el monitor a través de red (LAN, RS-232C y HDMI CEC).

*2 Cuando está desactivado el "Modo ahorro de energía".

■ Operaciones después del primer encendido

Al encender la alimentación por primera vez, aparecerá la pantalla de ajuste de idiomas. Asegúrese de ajustar la fecha y la hora.

1. **Seleccione un idioma, y después toque “Siguiete”.**
2. **Seleccione la zona horaria, y después toque “Siguiete”.**
3. **Ajuste la fecha y la hora, y después toque “Siguiete”.**
Aparecerá la pantalla de ajuste del modo ahorro de energía.
4. **Configure los ajustes según la pantalla.**

SI:

- “Modo ahorro de energía” está activado y “Wake On LAN” está desactivado.
- El consumo de corriente se reducirá mientras el monitor se encuentre en el estado en espera. El modo APPLICATION también se apagará. Obsérvese, no obstante, que el tiempo de inicio desde el estado en espera se alargará.

NO:

- “Modo ahorro de energía” está desactivado.
- Se reducirá el tiempo de arranque desde el estado en espera. Obsérvese, no obstante, que el consumo será mayor en el estado en espera. El modo APPLICATION continuará funcionando en el estado en espera.

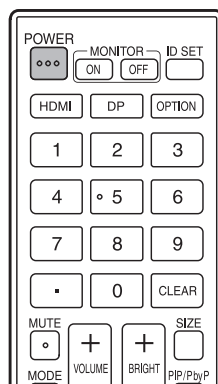
Incluso después de haberse establecido, podrá cambiar el “Modo ahorro de energía”. (Véase el MANUAL DE INSTRUCCIONES.)

Aparecerá la pantalla de inicio del modo APPLICATION.



Apagar la alimentación

1. **Pulse el botón POWER de la unidad de control remoto. O bien mantenga pulsado el botón POWER del monitor.**



Botón POWER

Aparecerá una pantalla de confirmación.

2. **Seleccione “Aceptar”.**

Se apagará la alimentación. (estado en espera)

! Precaución

- Al apagar la alimentación, los datos de la aplicación que no se hayan guardado se perderán.
- Antes de apagar la alimentación, se muestra un mensaje. Guarde cualquier dato que necesite.
- Si el monitor se va a apagar mediante horario, “Se apaga si no se usa” o el control por computadora, guarde previamente los datos que necesite. Se desconectará la alimentación aunque hayan datos sin guardar. (Los datos se perderán.)

ESPAÑOL

Especificaciones

| Modelo | PN-LC862 | PN-LC752 | PN-LC652 |
|---|--|--|---|
| Requisitos de alimentación | 100 - 240 V ca, 5,6 A, 50/60 Hz | 100 - 240 V ca, 4,7 A, 50/60 Hz | 100 - 240 V ca, 4,4 A, 50/60 Hz |
| Temperatura de funcionamiento *1 | 5°C a 35°C | | |
| Humedad de funcionamiento | 20% al 80% (sin condensación) | | |
| Consumo de energía *2 (Máx.) | 260 W (500 W) | 200 W (420 W) | 180 W (390 W) |
| Dimensiones (mm) (excluidas las protuberancias) | Aprox. 1967,9 (An) x 87,1 (Pr) x 1170,2 (Al) | Aprox. 1722,5 (An) x 87,1 (Pr) x 1032,1 (Al) | Aprox. 1511,6 (An) x 85,9 (Pr) x 917,9 (Al) |
| Peso (kg) | Aprox. 65 | Aprox. 51 | Aprox. 38,5 |

*1 Las condiciones de temperatura podrían cambiar al utilizar el monitor conjuntamente con los equipos opcionales recomendados por SHARP. En dichos casos, compruebe las condiciones de temperatura especificadas por los equipos opcionales.

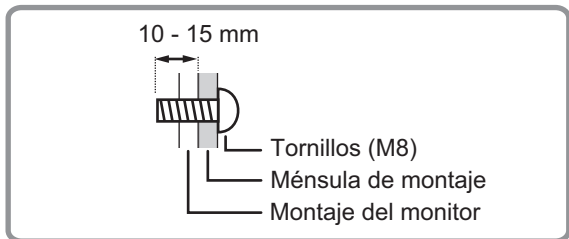
*2 Ajuste de fábrica. (Cuando no está conectado ningún componente opcional.)


Como parte de la política de mejoras continuas, SHARP se reserva el derecho de realizar cambios en el diseño y especificaciones para la mejora del producto sin previo aviso. Las figuras indicadas que especifican el rendimiento son valores nominales de los aparatos de producción. Puede haber algunas desviaciones de estos valores en los aparatos individuales.

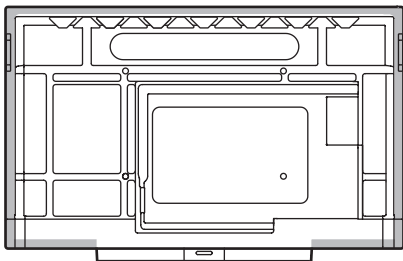


Precauciones de montaje (para distribuidores y técnicos de servicio de SHARP)

- Cuando instale, desinstale o traslade el monitor, asegúrese de sujetarlo entre 4 personas como mínimo. (PN-LC652: 2 personas como mínimo.)
- Asegúrese de utilizar un soporte de montaje mural diseñado para la instalación del monitor.
- Este monitor está diseñado para su instalación sobre un muro o pilar de hormigón. Tal vez resulte necesario realizar un trabajo de refuerzo para ciertos materiales como pueden ser yeso, paneles de plástico finos o madera antes de iniciar la instalación.
- Este monitor y el soporte deberán instalarse en una pared con una resistencia de al menos 4 veces el peso del monitor. Realice la instalación mediante el método más adecuado para el material y la estructura.
- Para colocar una ménsula de montaje compatible con VESA, use tornillos M8 que sean 10 mm a 15 mm más largos que la ménsula de montaje.



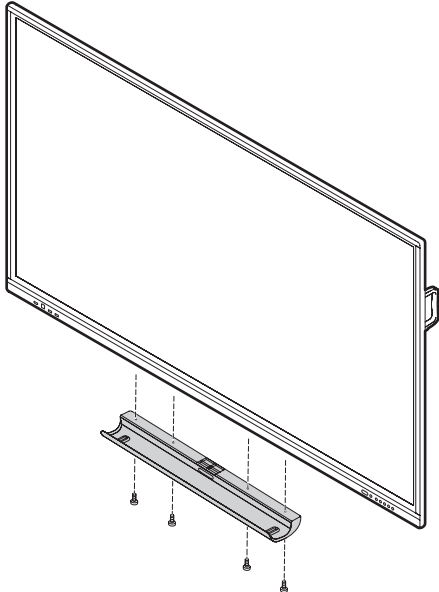
- No utilice un destornillador de impacto.
- Al mover el monitor, asegúrese de sujetar las asas o las partes marcadas con  más abajo. No agarra la pantalla ni la bandeja. Esto puede provocar daños en el producto, fallos o lesiones.



- Si necesita colocar el monitor provisionalmente sobre una mesa u otra superficie durante la instalación, coloque un paño suave y grueso sobre la mesa para evitar dañar la pantalla y la mesa.
- Antes de volver a embalarlo o retirarlo, extraiga la bandeja.
- Una vez efectuado el montaje, asegúrese de que el monitor está instalado de forma segura y que no se puede aflojar de la pared o el soporte.
- No utilice orificios de tornillos que no sean orificios de tornillos para soportes de montaje, que se ubican en la parte trasera del monitor para la instalación.

■ Colocación de la bandeja

Asegure la bandeja usando 4 tornillos de montaje de la bandeja (M3x8) (suministrados).





SHARP

Printed in China
Imprimé en Chine
Impreso en China

(3)